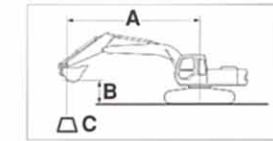
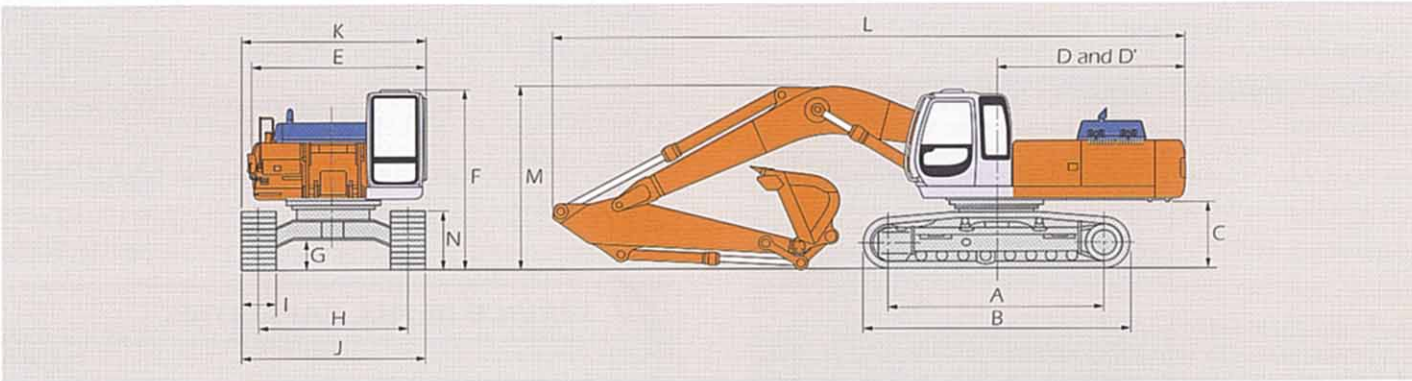


LIFTING CAPACITIES



A: Load radius
B: Load point height
C: Lifting capacity

DIMENSIONS

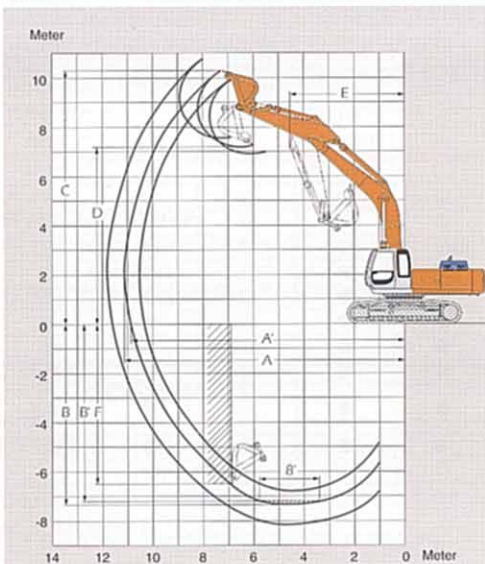


	EX300-s	EX350H-s	EX300LC-s	EX350LCH-s	EX370HD-s
A Distance between tumpers	3 730mm	3 730mm	4 050mm	4 050mm	4 050mm
B Undercarriage length	4 640mm	4 650mm	4 940mm	4 950mm	5 060mm
*C Counterweight clearance	1 140mm	1 140mm	1 160mm	1 160mm	1 250mm
D Rear-end swing radius	3 300mm	3 300mm	3 300mm	3 300mm	3 300mm
D' Rear-end length	3 290mm	3 290mm	3 290mm	3 290mm	3 290mm
E Overall width of upperstructure	2 995mm	2 995mm	2 995mm	2 995mm	3 370mm
F Overall height of cab	3 110mm	3 110mm	3 130mm	3 130mm	3 340mm
*G Min. ground clearance	500mm	500mm	500mm	500mm	560mm
H Track gauge	2 590mm	2 590mm	2 590mm	2 590mm	2 590mm
I Track shoe width	G600mm	G600mm	G600mm	G600mm	G600mm
J Undercarriage width	3 190mm	3 190mm	3 190mm	3 190mm	3 190mm
K Overall width	3 190mm	3 190mm	3 190mm	3 190mm	3 580mm
L Overall length					
With 2.66 m arm	11 070mm	—	11 070mm	—	—
With 3.20 m arm	10 950mm	**10 950mm	10 950mm	**10 950mm	**10 910mm
With 4.00 m arm	11 030mm	—	11 030mm	—	—
M Overall height of boom					
With 2.66 m arm	3 470mm	—	3 470mm	—	—
With 3.20 m arm	3 230mm	**3 230mm	3 230mm	**3 230mm	**3 340mm
With 4.00 m arm	3 570mm	—	3 570mm	—	—
N Track height	1 020mm	1 030mm	1 020mm	1 030mm	1 140mm

* Excluding track shoe lug
** Equipped with H-Front

G: Triple grouser shoe.

WORKING RANGES



EX300-s/EX300LC-s, EX350H-s/EX350LCH-s, EX370HD-s

Arm length	EX300-s/EX300LC-s			EX350(LC)H-s	EX370HD-s
	2.66 m	3.20 m	4.00 m	6.40 m H-boom 3.20 m H-arm	6.40 m H-boom 3.20 m H-arm
A Max. digging reach	10 570	11 100	11 860	11 100	11 100
A' Max. digging reach (on ground)	10 360	10 900	11 680	10 900	10 890
B Max. digging depth	6 850	7 380	8 180	7 380	7 270
B' Max. digging depth (B' level)	6 650	7 220	8 050	7 220	7 110
C Max. cutting height	9 870	10 230	10 620	10 230	10 360
D Max. dumping height	6 830	7 130	7 500	7 130	7 240
E Min. swing radius	4 580	4 490	4 520	4 490	4 490
F Max. vertical wall	5 620	6 480	7 370	6 480	6 410
Bucket digging force	ISO kN(kgf)	217(22 100)	218(22 200)	218(22 200)	218(22 200)
	SAE: PCSA kN(kgf)	*237(24 200)	*237(24 200)	*237(24 200)	*237(24 200)
Arm crowd force	ISO kN(kgf)	189(19 300)	189(19 300)	189(19 300)	189(19 300)
	SAE: PCSA kN(kgf)	*207(21 100)	*207(21 100)	*207(21 100)	*207(21 000)
Arm crowd force	ISO kN(kgf)	188(19 200)	157(16 000)	134(13 700)	157(16 000)
	SAE: PCSA kN(kgf)	*206(21 000)	*172(17 500)	*146(14 900)	*172(17 500)
Arm crowd force	ISO kN(kgf)	180(18 400)	151(15 400)	129(13 200)	151(15 400)
	SAE: PCSA kN(kgf)	*197(20 100)	*165(16 800)	*142(14 500)	*165(16 800)

Excluding track shoe lug * At power boost

EX300-s

Rating over-side or 360 degrees Rating over-front Unit: 1 000 kg

Conditions	Load point height m	Load radius										At max. reach					
		4	5	6	7	8	9	10	11	12	13	14	15				
Boom 6.40 m Arm 2.66 m Bucket PCSA: 1.40 m ³ CECE: 1.20 m ³ Shoes 600 mm	6						6.49	*6.84	5.05	*6.67					3.55	*5.25	9.55
	4														3.04	4.62	10.1
	2					6.93	10.5	5.50	8.27	4.44	6.68	3.63	5.49		2.88	4.44	10.2
	0					6.5	10.0	5.15	7.89	4.19	6.40	3.46	5.31		3.03	4.96	9.75
	-2	12.6	*12.8	8.63	*9.36	6.43	9.97	5.06	7.78	4.11	6.32				3.64	5.56	8.79
-4	*9.93	*9.93	8.9	*11.4	6.62	*9.86	5.22	7.96									
-5	*10.1	*10.1	9.15	*9.16	6.85	*7.80											

Boom 6.40 m Arm 3.20 m Bucket PCSA: 1.40 m ³ CECE: 1.20 m ³ Shoes 600 mm	6									5.13	*6.08	4.01	*4.97			3.15	*3.37	10.1		
	4					7.97	*8.33	6.14	*7.42	4.85	*6.81	3.87	5.76			2.72	*3.45	10.6		
	2					9.23	*13.8	7.08	10.7	5.57	8.35	4.47	6.71	3.63	5.50	2.96	4.56	2.58	*3.72	10.7
	0					8.58	*11.2	6.52	10.1	5.15	7.90	4.17	6.39	3.42	5.28	2.84	4.43	2.70	4.23	10.3
	-2	*10.3	*10.3	8.52	*12.4	6.36	9.91	4.99	7.72	4.04	6.25	3.34	5.20					3.17	4.91	9.41
-4	*11.5	*11.5	8.73	*12.4	6.48	10.0	5.08	7.81	4.14	6.35										
-6			*7.66	*7.66	*6.19	*6.19														

Boom 6.40 m Arm 4.00 m Bucket PCSA: 1.15 m ³ CECE: 1.00 m ³ Shoes 600 mm	6													4.21	*5.34	*3.28	*3.28	*2.65	*2.65	10.9					
	4										5.03	*6.15	4.01	5.84	3.22	4.84	2.40	*2.71	11.4						
	2										9.75	*12.3	7.38	*9.78	5.77	*8.29	4.61	6.86	3.73	5.61	3.04	4.65	2.27	*2.91	11.5
	0	*8.90	*8.90	8.74	13.8	6.65	10.2	5.25	8.01	4.24	6.47	3.47	5.33	2.86	4.46	2.35	*3.30	11.1							
	-2	*9.19	*9.19	8.46	13.5	6.35	9.89	4.99	7.72	4.03	6.24	3.32	5.17	2.77	4.37	2.69	*3.99	10.3							
-4	12.5	*12.8	8.55	13.6	6.36	9.90	4.97	7.70	4.02	6.24	3.35	5.21													
-6	*11.9	*11.9	8.93	*10.1	6.66	*8.51	5.25	*6.91																	

EX300LC-s

Unit: 1 000 kg

Conditions	Load point height m	Load radius										At max. reach								
		4	5	6	7	8	9	10	11	12	13	14	15							
Boom 6.40 m Arm 3.20 m Bucket PCSA: 1.40 m ³ CECE: 1.20 m ³ Shoes 600 mm	6									5.22	*6.08	4.09	*5.02			3.22	*3.37	10.1		
	4					8.10	*8.35	6.25	*7.43	4.94	*6.82	3.95	*6.41			2.78	*3.46	10.6		
	2					9.39	*13.8	7.20	*10.8	5.68	*9.00	4.56	7.71	3.71	6.32	3.03	5.26	2.64	*3.73	10.7
	0					8.75	*11.2	6.65	11.7	5.26	9.13	4.26	7.38	3.50	6.10	2.91	5.13	2.77	*4.25	10.3
	-2	*10.3	*10.3	8.69	*12.4	6.50	11.5	5.10	8.95	4.13	7.23	3.42	6.02					3.26	*5.21	9.40
-4	*11.6	*11.6	8.90	*12.4	6.62	*10.5	5.19	*8.90	4.23	7.34										
-6			*7.59	*7.59	*6.11	*6.11														

Notes: 1. Ratings are based on SAE J1097.
2. Lifting capacity of the EX Series does not exceed 75% of tipping load with the machine on firm level ground or 87% of full hydraulic capacity.
3. The load point is a hook (not standard equipment) loaded on the back of the bucket.
4. *Indicates load limited by hydraulic capacity.

EX350H-5

Rating over-side or 360 degrees Rating over-front Unit: 1 000 kg

Conditions	Load point height m	Load radius										At max. reach						
		4	5	6	7	8	9	10						@m				
																@m		
Boom 6.40 m	6									5.37	*5.80	4.18	*4.76			*3.17	*3.17	10.1
H-boom	4					*8.02	*8.02	6.46	*7.11	5.07	*6.51	4.02	6.02			2.79	*3.26	10.6
Arm 3.20 m	2																	
H-arm				9.74	*13.4	7.45	*10.4	5.84	*8.64	4.67	7.03	3.76	5.74	3.05	4.74	2.64	*3.53	10.7
Bucket	0			9.04	*11.4	6.84	10.6	5.39	8.29	4.34	6.68	3.54	5.50	2.92	4.60	2.76	*4.04	10.3
PCSA: 1.38 m ³	-2	*10.5	*10.5	8.98	*12.6	6.67	10.4	5.22	8.09	4.20	6.53	3.46	5.41			3.27	*5.00	9.42
CECE: 1.20 m ³	-4	*11.7	*11.7	9.20	*12.0	6.80	*10.2	5.31	8.19	4.31	6.64							
Rock bucket	-6			*7.29	7.29	*5.85	*5.85											
Shoes 600 mm																		

EX350LCH-5

Unit: 1 000 kg

Conditions	Load point height m	Load radius										At max. reach						
		4	5	6	7	8	9	10						@m				
																@m		
Boom 6.40 m	6									5.46	*5.80	4.26	*4.81			*3.17	*3.17	10.1
H-boom	4					*8.05	*8.05	6.56	*7.13	5.16	*6.52	4.10	*6.10			2.86	*3.26	10.6
Arm 3.20 m	2																	
H-arm				9.90	*13.4	7.57	*10.4	5.95	*8.65	4.76	*7.52	3.84	6.60	3.12	5.47	2.71	*3.53	10.7
Bucket	0			9.21	*11.4	6.98	*11.8	5.50	9.57	4.43	7.71	3.62	6.36	2.99	5.33	2.83	*4.05	10.3
PCSA: 1.38 m ³	-2	*10.6	*10.6	9.15	*12.6	6.81	*11.7	5.33	9.38	4.30	7.56	3.54	6.27			3.35	5.01	9.41
CECE: 1.20 m ³	-4	*11.8	*11.8	9.37	*11.9	6.94	*10.1	5.42	*8.53	4.40	*7.00							
Rock bucket	-6			*7.22	*7.22	*5.77	*5.77											
Shoes 600 mm																		

EX370HD-5

Unit: 1 000 kg

Conditions	Load point height m	Load radius										At max. reach						
		4	5	6	7	8	9	10						@m				
																@m		
Boom 6.40 m	6									*5.78	*5.78	4.60	*4.98			*3.13	*3.13	10.2
H-boom	4					*8.12	*8.12	7.02	*7.16	5.54	*6.52	4.44	*6.09	3.55	*3.73	3.12	*3.23	10.6
Arm 3.20 m	2																	
H-arm				10.6	*13.5	8.13	*10.5	6.40	*8.68	5.14	*7.52	4.18	*6.72	3.41	*5.91	2.98	*3.51	10.7
Bucket	0			9.97	*11.4	7.55	*11.7	5.97	*9.69	4.83	*8.24	3.96	6.96	3.29	*5.48	3.14	*4.04	10.3
PCSA: 1.50 m ³	-2	*10.3	*10.3	9.92	*12.7	7.40	*11.6	5.81	*9.72	4.70	*8.24	3.89	6.88			3.72	*5.04	9.35
CECE: 1.30 m ³	-4	*12.0	*12.0	10.2	*11.8	7.55	*9.98	5.91	*8.39	4.82	*6.90							
Rock bucket	-5	*11.3	*11.3	*9.83	*9.83	7.74	*8.33	6.11	*6.74									
Shoes 600 mm																		

Notes: 1. Ratings are based on SAE J1097.
2. Lifting capacity of the EX Series does not exceed 75% of tipping load with the machine on firm, level ground or 87% of full hydraulic capacity.
3. The load point is a hook (not standard equipment) loaded on the back of the bucket.
4. *Indicates load limited by hydraulic capacity.

SE STANDARD EQUIPMENT

Standard equipment may vary by country, so please consult your Hitachi dealer for details.

ENGINE

- H/P mode control
- E mode control
- 40 A alternator
- Dual element dry type air filter (with evacuator valve)
- Cartridge-type engine oil filter
- Cartridge-type engine oil bypass filter
- Cartridge type fuel filter
- Radiator and oil cooler with dust protective net
- Radiator reserve tank
- Fan guard
- Isolation-mounted engine
- Auto-idle system

HYDRAULIC SYSTEM

- Work mode selector
- Engine speed sensing system
- E-P control system
- Quick warm-up system for pilot circuit
- Shockless valve in pilot circuit
- Anti-drift valve for boom down, arm roll in
- Control valve with main relief Valve
- Extra port for control valve
- Suction filter
- Full-flow filter
- Pilot filter

CAB

All-weather sound-suppressed steel cab equipped with reinforced, tinted (bronze color) glass windows, 6 fluid-filled elastic mounts, openable front windows (upper, lower) and left side windows, intermittent windshield retractable wiper, front window washer, adjustable reclining seat with adjustable armrests, footrest, electric double horn, auto-tuning radio with digital clock, auto-idle switch, seat belt, cigarette lighter, ashtray, parcel pocket, glove compartment, floor mat, heater, and pilot control shut-off lever.

MONITOR SYSTEM

- Meters
Hourmeter, engine coolant temperature gauge and fuel meter.
- Warning lamps:
Alternator charge, engine oil pressure, engine overheat, air cleaner clog and minimum fuel level.
- Pilot lamps:
Engine preheat, engine oil level, engine coolant level and hydraulic oil level.
- Alarm buzzers:
Engine oil pressure and engine overheat

LIGHTS

- 2 working lights

UPPERSTRUCTURE

- Undercover
- 6800kg counterweight
- Fuel level float
- Hydraulic oil level gauge
- Tool box
- Utility space
- Rearview mirror (right side) (left side option)
- Swing parking brake

UNDERCARRIAGE

- Travel parking brake
- Travel motor covers
- Track guards and hydraulic track adjuster
- Bolt-on sprocket
- Upper rollers and lower rollers
- Reinforced track links with pin seals
- 600mm triple grouser shoes.

FRONT ATTACHMENTS

- HN bushing
- Bucket clearance adjust mechanism
- Remote lubrication system
- Dirt seals on all bucket pins
- 3.20m arm
- 1.62m³ (PCSA heaped) bucket

MISCELLANEOUS

- Standard tool kit
- Lockable machine covers
- Lockable fuel filling cap
- Skid-resistant tapes and handrails

EX350H/350LCH (Heavy-duty version)

- H-boom 6.40m and H-arm 3.20m
- 1.38m³ (PCSA heaped) H-rock bucket
- Reinforced undercover for upperstructure
- 7 550kg H-counterweight
- H-track guard
- Electric lubricator with hose reel
- Suspension seat

EX370HD (Heavy-duty deluxe version)

- Headguard-integrated cab (pressurized type)
- H-boom 6.40m and H-arm 3.20m
- 1.50m³ (PCSA heaped) HD-rock bucket
- Reinforced undercover for upperstructure
- 7 550kg H-counterweight
- HD-track guard
- EX400 classes undercarriage
- Electric lubricator with hose reel
- Suspension seat

OE OPTIONAL EQUIPMENT

Optional equipment may vary by country, so please consult your Hitachi dealer for details.

- Air conditioner
- Suspension seat
- Headguard-integrated cab
- AM-FM radio
- Hose rupture valves
- Electric fuel feed pump
- Swing motion alarm device with lamps
- Travel motion alarm device with cancel switch
- Additional pump
- Piping kit for extra valve port
- Additional valve with piping kit
- Tropical cover

- H-boom 6.40m (Installation is possible with H-arm 3.20m (7 550kg H-counterweight installation.))
- 1.38m³: (PCSA heaped) H-rock bucket
- 1.50m³: (PCSA heaped) HD-rock bucket
- Front glass guard (lower & upper)
- Reinforced undercover for upperstructure
- 7 550kg H-counterweight
- H-track guard
- Full track guard
- Fuel double element
- Electric lubricator with hose reel
- Sunshade (for EX300-5)
- Sunvisor (for EX370HD-5)