

ENGINE

Model	Isuzu 4BD1
Type	4-cycle water-cooled, direct injection
No. of cylinders	4
Rated flywheel	57 kW (78 PS) at 2 300 min ⁻¹ (rpm)
horsepower (DIN 6271, net)	
Rated flywheel	54 kW (72 HP) at 2 300 min ⁻¹ (rpm)
horsepower (SAE J1349, net)	
Maximum torque	235 N.m (24.0 kgf.m, 174 lbf. ft)
	at 1 600 rpm
Piston displacement	3.856 L (235 in ³)
Bore and stroke	102 mm × 118 mm (4.02" × 4.65")
Batteries	2 × 12 V, 65 AH
Governor	Mechanical, speed control with stepping motor

HYDRAULIC SYSTEM

ELLE (Electronic Load-sensing Excavation) system designed for job efficiency and controllability.

- Load-sensing system
- Flow dividing control system
- Work mode selector
 - General-purpose mode / Trenching mode
 - Grading mode / Precision mode

Power selector designed for maximum productivity and fuel savings.

- Engine speed sensing system.
 - P (Power) mode / E (Economy) mode
 - L (Low speed) mode / I (Low idle) mode

Main pump	1 variable displacement axial piston pump
Maximum oil flow	1 × 184 L/min (48.5 US gpm, 40.4 Imp gpm)
Pilot pump	1 gear pump
Max. oil flow	38.6 L/min (10.2 US gpm, 8.5 Imp gpm)

Hydraulic Motors

Travel	2 variable displacement axial piston motors
Swing	1 axial piston motor

Relief Valve Settings

Implement circuit	34.3 MPa (350 kgf/cm ² , 4 980 psi)
Swing circuit	34.8 MPa (355 kgf/cm ² , 5 050 psi)
Travel circuit	34.3 MPa (350 kgf/cm ² , 4 980 psi)
Pilot circuit	4.9 MPa (50 kgf/cm ² , 710 psi)

Hydraulic Cylinders

High-strength piston rods and tubes. Cylinder cushion mechanisms provided in all cylinders to absorb shocks at stroke ends.

Dimensions

	Qty.	Bore	Rod diameter
Boom	2	95 mm (3.74")	70 mm (2.76")
Arm	1	105 mm (4.13")	75 mm (2.95")
Bucket	1	95 mm (3.74")	65 mm (2.56")

Hydraulic Filters

Hydraulic circuits use high-quality hydraulic filters. A suction filter is incorporated in the suction line, and 10 μm full-flow filters in the return line and swing/travel motor drain lines.

CONTROLS

Pilot controls. Hitachi's original shockless valve and quick warm-up system built in the pilot circuit. Hydraulic warm-up control system for engine and hydraulic oil. Multi selection lever with rotary valve is optionally available for selection of control lever direction.

Implement levers	2
Travel levers with pedals	2

UPPERSTRUCTURE

Revolving Frame

Welded sturdy box construction, using heavy-gauge steel plates for ruggedness. D-section frame for resistance to deformation.

Swing Mechanism

Axial piston motor with planetary reduction gear is bathed in oil. Swing circle is single-row, shear-type ball bearing with induction-hardened internal gear. Internal gear and pinion gear are immersed in lubricant. Swing parking brake is spring-set/hydraulic-released disc type. Swing dampener valve in the swing circuit prevents coasting when stopping swing. Swing cushion valve built in swing motor absorbs shocks when stopping swing.

Swing speed	11.0 min ⁻¹ (rpm)
-------------------	------------------------------

Operator's Cab

Independent roomy cab, 940 mm (37") wide by 1 620 mm (64") high, conforming to ISO* Standards. Reinforced glass windows on 4 sides for visibility. Front windows (upper and lower) are openable and spring-assisted for easy storing in the cab and absorbing shocks during lowering. Adjustable, suspension seat with armrests; movable with or without control levers and monitor panel.

* International Standard Organization

UNDERCARRIAGE

Tracks

Tractor-type undercarriage. Welded track frame, using carefully selected materials. Side frame welded to track frame. Lubricated track rollers, idlers, and sprockets with floating seals.

Track shoes with triple grousers made of induction-hardened rolled alloy. Flat and triangular shoes are also available. Heat-treated connecting pins with dirt seals. Hydraulic (grease) track adjusters with shock-absorbing recoil springs.

Numbers of Rollers and Shoes on Each Side

Upper rollers	1: EX100-3
	2: EX100M-3
Lower rollers	6: EX100-3
	7: EX100M-3
Track shoes	41: EX100-3
	47: EX100M-3

Traction Device

Each track driven by 2-speed axial piston motor through planetary reduction gear for counterrotation of the tracks. Sprockets are replaceable. Parking brake is spring-set/hydraulic-released disc type. Travel shockless relief valve built in travel motor absorbs shocks when stopping travel.

Automatic transmission system: High—Medium.

Travel speeds

EX100-3	High: 0 to 5.5 km/h (3.4 mph)
	Medium: 0 to 3.9 km/h (2.4 mph)
	Low: 0 to 2.2 km/h (1.4 mph)
EX100M-3	High: 0 to 4.4 km/h (2.7 mph)
	Medium: 0 to 2.7 km/h (1.7 mph)
	Low: 0 to 2.0 km/h (1.2 mph)

Maximum traction force

EX100-3	84.3 kN (8 600 kgf, 18 960 lbf)
EX100M-3	114.7 kN (11 700 kgf, 25 790 lbf)
Gradeability	35° (70%) continuous

WEIGHTS AND GROUND PRESSURE

Equipped with 4.27 m (14'0") boom, 2.26 m (7'5") arm and 0.46 m³ (0.60 yd³: PCSA heaped) bucket.

EX100-3

Shoe type	Shoe width	Standard undercarriage	
		Operating weight	Ground pressure
Triple grouser	500 mm (20")	10 700 kg (23 600 lb)	36.3 kPa (0.37 kgf/cm ² , 5.26 psi)
	600 mm (24")	11 000 kg (24 250 lb)	31.4 kPa (0.32 kgf/cm ² , 4.55 psi)
	700 mm (28")	11 100 kg (24 500 lb)	27.5 kPa (0.28 kgf/cm ² , 3.98 psi)
Rubber	500 mm (20")	10 700 kg (23 600 lb)	36.3 kPa (0.37 kgf/cm ² , 5.26 psi)
Flat	510 mm (20")	11 200 kg (24 700 lb)	37.3 kPa (0.38 kgf/cm ² , 5.40 psi)
Triangular	700 mm (28")	11 000 kg (24 250 lb)	27.5 kPa (0.28 kgf/cm ² , 3.98 psi)

EX100M-3

Shoe type	Shoe width	Marsh type undercarriage	
		Operating weight	Ground pressure
Triple grouser	700 mm (28")	12 200 kg (26 900 lb)	26.5 kPa (0.27 kgf/cm ² , 3.84 psi)
Triple high grouser	960 mm (38")	13 300 kg (29 300 lb)	20.6 kPa (0.21 kgf/cm ² , 2.99 psi)
Triangular	760 mm (30")	12 200 kg (26 900 lb)	24.5 kPa (0.25 kgf/cm ² , 3.56 psi)
	960 mm (38")	12 900 kg (28 400 lb)	20.6 kPa (0.21 kgf/cm ² , 2.99 psi)

EX100-3 with Off-set front: Equipped with 1.96 m (6'5") arm and 0.46 m³ (0.60 cu yd: PCSA heaped) bucket.

Shoe type	Shoe width	Standard undercarriage	
		Operating weight	Ground pressure
Triple grouser	500 mm (20")	11 500 kg (25 400 lb)	39.2 kPa (0.40 kgf/cm ² , 5.69 psi)

Operating weight implies total weight of the basic machine plus 1 750 kg (3 860 lb) counterweight and triple grouser shoes, excluding front-end attachment.

EX100-3.....	8 700 kg (19 200 lb) with 500 mm (20") shoes
EX100M-3	10 200 kg (22 500 lb) with 700 mm (28") shoes

Buckets

Capacity		Width		No. of teeth	Weight	Recommendation					
PCSA heaped	CECE heaped	Without side cutters	With side cutters			EX100-3			EX100M-3		
						1.96 m (6'5") arm	2.26 m (7'5") arm	2.81 m (9'3") arm	1.96 m (6'5") arm	2.26 m (7'5") arm	2.81 m (9'3") arm
0.19 m ³ (0.25 yd ³)	0.17 m ³	450 mm (18")	550 mm (22")	3	240 kg (530 lb)	⊙	⊙	⊙	⊙	⊙	⊙
0.30 m ³ (0.39 yd ³)	0.25 m ³	580 mm (23")	700 mm (28")	3	280 kg (620 lb)	⊙	⊙	⊙	⊙	⊙	⊙
0.40 m ³ (0.52 yd ³)	0.33 m ³	680 mm (27")	800 mm (31")	4	320 kg (710 lb)	⊙	⊙	⊙	⊙	⊙	⊙
0.46 m ³ (0.60 yd ³)	0.40 m ³	850 mm (33")	970 mm (38")	5	370 kg (820 lb)	⊙	⊙	○*	⊙	⊙	⊙
0.55 m ³ (0.72 yd ³)	0.45 m ³	890 mm (35")	1 010 mm (40")	5	390 kg (860 lb)	⊙	□	—	⊙	○	○
0.59 m ³ (0.77 yd ³)	0.50 m ³	950 mm (37")	1 070 mm (42")	5	410 kg (900 lb)	○	□	—	○	□	—
One-point ripper				1	320 kg (710 lb)	●	●	—	—	—	—
Clamshell bucket: 0.30 m ³ (0.39 yd ³ : CECE heaped), Width 560 mm (22")				6	690 kg (1 520 lb)	⊙	⊙	—	⊙	⊙	—
Slope-finishing blade: Width 1 000 mm (39"), Length 1 600 mm (63")					475 kg (1 050 lb)	◇	◇	◇	◇	◇	◇

* With 700 mm (28") shoe only

Buckets (Off-set front and Rubber crawler)

Capacity		Width		No. of teeth	Weight	Recommendation			
PCSA heaped	CECE heaped	Without side cutters	With side cutters			EX100-3 with off-set front		EX100-3 with Rubber crawler	
						1.96 m (6'5") arm	1.96 m (6'5") arm	2.26 m (7'5") arm	2.81 m (9'3") arm
0.19 m ³ (0.25 yd ³)	0.17 m ³	450 mm (18")	550 mm (22")	3	240 kg (530 lb)	⊙	⊙	⊙	⊙
0.30 m ³ (0.39 yd ³)	0.25 m ³	580 mm (23")	700 mm (28")	3	280 kg (620 lb)	⊙	⊙	⊙	⊙
0.40 m ³ (0.52 yd ³)	0.33 m ³	680 mm (27")	800 mm (31")	4	320 kg (710 lb)	⊙	⊙	⊙	⊙
0.46 m ³ (0.60 yd ³)	0.40 m ³	850 mm (33")	970 mm (38")	5	370 kg (820 lb)	⊙	⊙	⊙	○
0.55 m ³ (0.72 yd ³)	0.45 m ³	890 mm (35")	1 010 mm (40")	5	390 kg (860 lb)	—	⊙	○	—
0.59 m ³ (0.77 yd ³)	0.50 m ³	950 mm (37")	1 070 mm (42")	5	410 kg (900 lb)	—	○	□	—
Clamshell bucket: 0.30 m ³ (0.39 yd ³ : CECE heaped), Width 560 mm (22")				6	690 kg (1 520 lb)	—	⊙	⊙	—
Slope-finishing blade: Width 1 000 mm (39"), Length 1 600 mm (63")					475 kg (1 050 lb)	—	◇	◇	◇

⊙ Suitable for materials with density of 2 000 kg/m³ (3 370 lb/yd³) or less
 ○ Suitable for materials with density of 1 600 kg/m³ (2 700 lb/yd³) or less
 □ Suitable for materials with density of 1 100 kg/m³ (1 850 lb/yd³) or less

● Heavy-duty service
 ◇ Slope-finishing service
 — Not recommended



SERVICE REFILL CAPACITIES

	liters	US gal	Imp gal
Fuel tank	250.0	66.0	55.0
Engine coolant	16.4	4.3	3.6
Engine oil	14.7	3.9	3.2
Swing mechanism	4.0	1.1	0.9
Travel final device (each side)			
EX100-3.....	3.0	0.8	0.7
EX100M-3	4.4	1.2	1.0
Hydraulic system	130.0	34.3	28.6
Hydraulic tank	69.0	18.2	15.2



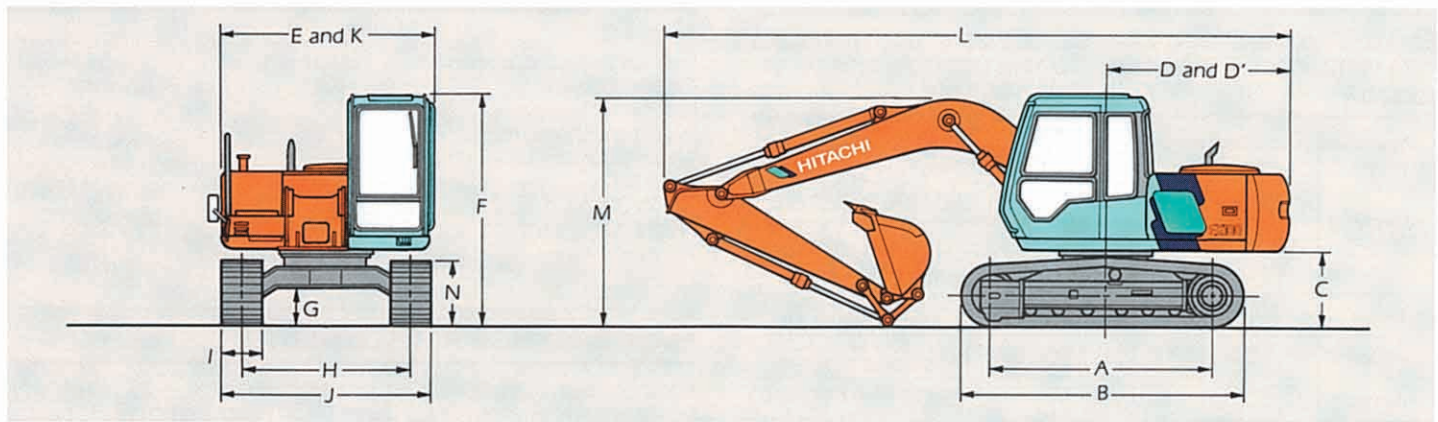
BACKHOE ATTACHMENTS

Boom and arms are of welded, box-section design. 4.27 m (14'0") boom, and 1.96 m (6'5"), 2.26 m (7'5") and 2.81 m (9'3") arms are available.

Bucket is of welded steel structure. Side clearance adjust mechanism provided on the bucket joint bracket.

EX100-3/EX100M-3

DIMENSIONS



	EX100-3				EX100M-3		
A Distance between tumblers	2 620 mm (8'7")				2 960 mm (9'9")		
B Undercarriage length	3 340 mm (10'11")				3 790 mm (12'5")		
*C Counterweight clearance	890 mm (2'11")				1 070 mm (3'6")		
D Rear-end swing radius	2 130 mm (7'0")				2 130 mm (7'0")		
D' Rear-end length	2 100 mm (6'11")				2 100 mm (6'11")		
E Overall width of upperstructure	2 460 mm (8'1")				2 460 mm (8'1")		
F Overall height of cab	2 700 mm (8'10")				2 880 mm (9'5")		
*G Min. ground clearance	440 mm (1'5")				575 mm (1'11")		
H Track gauge	1 990 mm (6'6")				2 040 mm (6'8")		
I Standard track shoe width	G500 mm (20")	G600 mm (24")	G700 mm (28")	F510 mm (20")	G700 mm (28")	T760 mm (30")	H960 mm (38")
J Undercarriage width	2 490 mm (8'2")	2 590 mm (8'6")	2 690 mm (8'10")	2 500 mm (8'2")	2 740 mm (9'0")	2 800 mm (9'2")	3 000 mm (9'10")
K Overall width	2 500 mm (8'2")	2 590 mm (8'6")	2 690 mm (8'10")	2 500 mm (8'2")	2 740 mm (9'0")	2 800 mm (9'2")	3 000 mm (9'10")
L Overall length							
With 1.96 m (6'5") arm	7 180 mm (23'7")				7 170 mm (23'6")		
With 2.26 m (7'5") arm	7 190 mm (23'7")				7 190 mm (23'7")		
With 2.81 m (9'3") arm	7 190 mm (23'7")				7 190 mm (23'7")		
M Overall height of boom							
With 1.96 m (6'5") arm	2 600 mm (8'6")				2 670 mm (8'9")		
With 2.26 m (7'5") arm	2 690 mm (8'10")				2 740 mm (9'0")		
With 2.81 m (9'3") arm	**2 680 mm (8'10")				**2 670 mm (8'9")		
N Track height							
With triple grouser shoes	790 mm (2'7")				900 mm (2'11")		

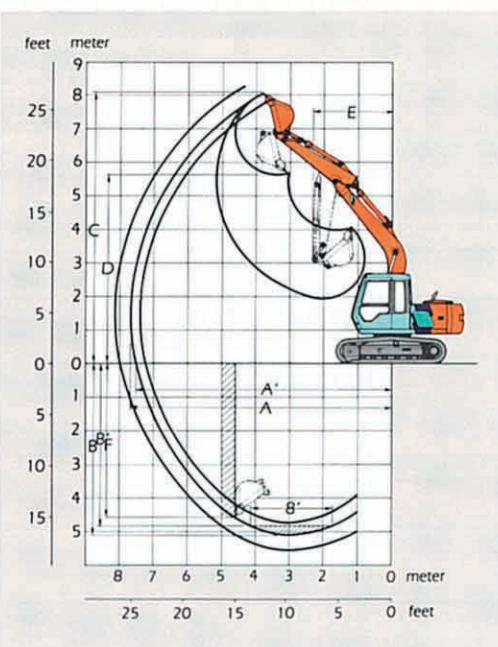
* Excluding track shoe lug.

** This dimensions is shown in the transportation hole position of the arm

G: Triple grouser shoe
T: Triangular shoe

F: Flat shoe
H: Triple high grouser shoe

WORKING RANGES



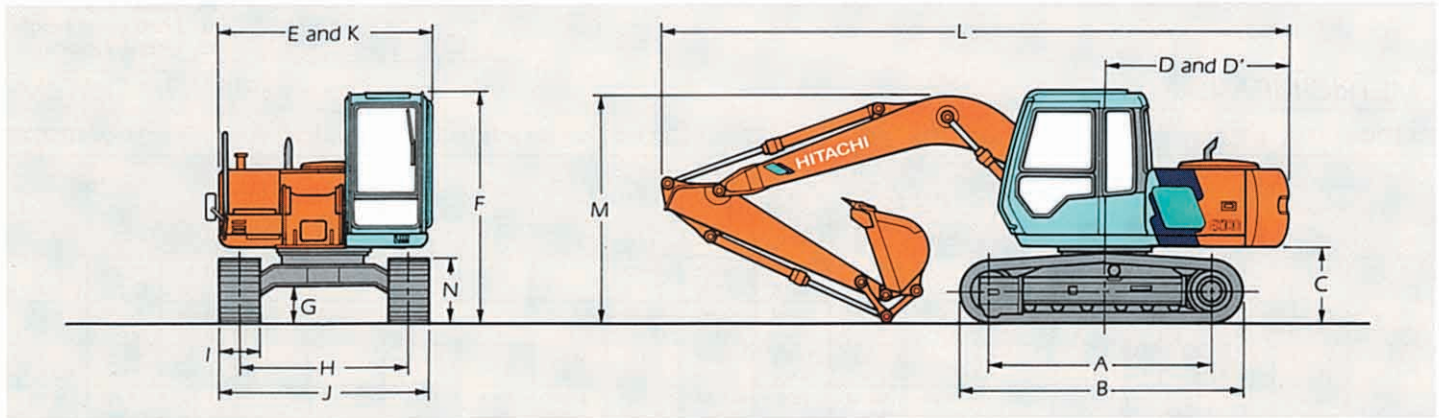
Unit: mm (ft)

	EX100-3			EX100M-3		
	1.96 m (6'5")	2.26 m (7'5")	2.81 m (9'3")	1.96 m (6'5")	2.26 m (7'5")	2.81 m (9'3")
A Max. digging reach	7 430 (24'5")	7 700 (25'3")	8 180 (26'10")	7 430 (24'5")	7 700 (25'3")	8 180 (26'10")
A' Max. digging reach (on ground)	7 290 (23'11")	7 560 (24'10")	8 050 (26'5")	7 250 (23'9")	7 520 (24'8")	8 010 (26'3")
B Max. digging depth	4 780 (15'8")	5 080 (16'8")	5 630 (18'6")	4 600 (15'1")	4 900 (16'1")	5 450 (17'11")
B' Max. digging depth (8' level)	4 520 (14'10")	4 840 (15'11")	5 420 (17'9")	4 340 (14'3")	4 660 (15'3")	5 240 (17'2")
C Max. cutting height	7 850 (25'9")	8 030 (26'4")	8 250 (27'1")	8 030 (26'4")	8 210 (26'11")	8 430 (27'8")
D Max. dumping height	5 460 (17'11")	5 630 (18'6")	5 870 (19'3")	5 640 (18'6")	5 810 (19'1")	6 050 (19'10")
E Min. swing radius	2 360 (7'9")	2 390 (7'10")	2 630 (8'8")	2 360 (7'9")	2 390 (7'10")	2 630 (8'8")
F Max. vertical wall	4 320 (14'2")	4 620 (15'2")	5 100 (16'9")	4 140 (13'7")	4 440 (14'7")	4 920 (16'2")
Bucket digging force	78.5 kN (8 000 kgf, 17 600 lbf)			78.5 kN (8 000 kgf, 17 600 lbf)		
Arm crowd force	57.9 kN (5 900 kgf, 13 000 lbf)	53.0 kN (5 400 kgf, 11 900 lbf)	47.1 kN (4 800 kgf, 10 600 lbf)	57.9 kN (5 900 kgf, 13 000 lbf)	53.0 kN (5 400 kgf, 11 900 lbf)	47.1 kN (4 800 kgf, 10 600 lbf)

Excluding track shoe lug

EX100-3 with Off-set front/EX100-3 with Rubber crawler

DIMENSIONS



	EX100-3 with Off-set front	EX100-3 with Rubber crawler
A Distance between tumbles	2 620 mm (8'7")	2 630 mm (8'8")
B Undercarriage length	3 340 mm (10'11")	3 370 mm (11'1")
*C Counterweight clearance	890 mm (2'11")	930 mm (3'1")
D Rear-end swing radius	2 130 mm (7'0")	2 130 mm (7'0")
D' Rear-end length	2 100 mm (6'11")	2 100 mm (6'11")
E Overall width of upperstructure	2 460 mm (8'1")	2 460 mm (8'1")
F Overall height of cab	2 700 mm (8'10")	2 720 mm (8'11")
*G Min. ground clearance	440 mm (1'5")	480 mm (1'7")
H Track gauge	1 990 mm (6'6")	1 990 mm (6'6")
I Standard track shoe width	G500 mm (20")	R 500 mm (20")
J Undercarriage width	2 490 mm (8'2")	2 490 mm (8'2")
K Overall width	2 500 mm (8'2")	2 500 mm (8'2")
L Overall length		
With 1.96 m (6'5") arm	7 330 mm (24'1")	7 180 mm (23'7")
With 2.26 m (7'5") arm	—	7 190 mm (23'7")
With 2.81 m (9'3") arm	—	7 190 mm (23'7")
M Overall height of boom		
With 1.96 m (6'5") arm	2 960 mm (9'9")	2 600 mm (8'6")
With 2.26 m (7'5") arm	—	2 690 mm (8'10")
With 2.81 m (9'3") arm	—	** 2 680 mm (8'10")
N Track height		
With triple grouser shoe	790 mm (2'7")	

*Excluding track shoe lug.

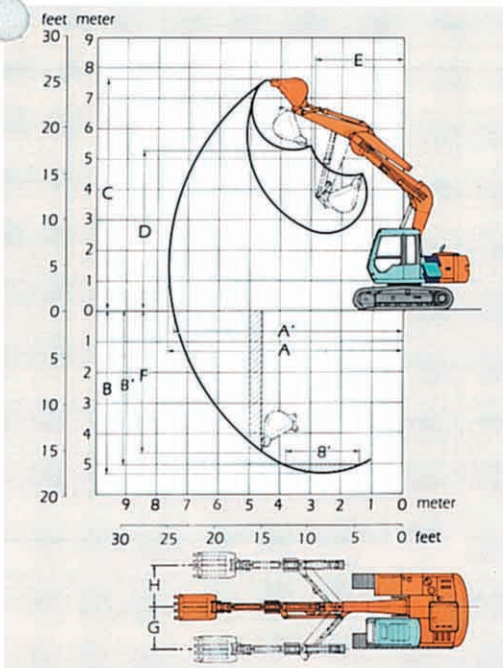
**This dimension is shown in the transportation hole position of the arm

G: Triple grouser shoe

R: Rubber crawler

WORKING RANGES

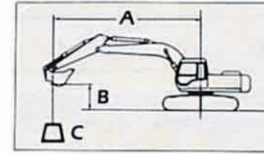
Unit: mm (ft in)



	EX100-3 with Off-set front			EX100-3 with Rubber crawler		
	1.96 m (6'5")			1.96 m (6'5")	2.26 m (7'5")	2.81 m (9'3")
Arm length	1.96 m (6'5")			1.96 m (6'5")	2.26 m (7'5")	2.81 m (9'3")
Off-set distance	0 m	Max.	Right-side priority position	—	—	—
A Max. digging reach	7 620 (25'0")	7 090 (23'3")	6 850 (22'6")	7 430 (24'5")	7 700 (25'3")	8 180 (26'10")
A' Max. digging reach (on ground)	7 470 (24'6")	6 930 (22'9")	6 690 (21'11")	7 280 (23'11")	7 550 (24'9")	8 040 (26'5")
B Max. digging depth	5 330 (17'6")	4 790 (15'9")	4 540 (14'11")	4 740 (15'7")	5 040 (16'6")	5 590 (18'4")
B' Max. digging depth (B' level)	5 050 (16'7")	4 510 (14'10")	4 270 (14'0")	4 480 (14'8")	4 800 (15'9")	5 380 (17'8")
C Max. cutting height	7 600 (24'11")	7 260 (23'10")	7 120 (23'4")	7 890 (25'11")	8 070 (26'6")	8 290 (27'2")
D Max. dumping height	5 230 (17'2")	4 890 (16'1")	4 750 (15'7")	5 500 (18'1")	5 670 (18'7")	5 910 (19'5")
E Min. swing radius	2 910 (9'7")	2 460 (8'1")	2 270 (7'5")	2 360 (7'9")	2 390 (7'10")	2 630 (8'8")
F Max. vertical wall	4 680 (15'4")	4 130 (13'7")	3 910 (12'10")	4 280 (14'1")	4 580 (15'0")	5 060 (16'7")
G Left side off-set distance	—	1 300 (4'3")	1 070 (3'6")	—	—	—
H Right side off-set distance	—	1 540 (5'1")	1 770 (5'10")	—	—	—
Bucket digging force	78.5 kN (8 000 kgf, 17 600 lbf)			78.5 kN (8 000 kgf, 17 600 lbf)	78.5 kN (8 000 kgf, 17 600 lbf)	78.5 kN (8 000 kgf, 17 600 lbf)
Arm crowd force	57.9 kN (5 900 kgf, 13 000 lbf)			57.9 kN (5 900 kgf, 13 000 lbf)	53.0 kN (5 400 kgf, 11 900 lbf)	47.1 kN (4 800 kgf, 10 600 lbf)

Excluding track shoe lug.

LIFTING CAPACITIES



A: Load radius
B: Load point height
C: Lifting capacity

METRIC MEASURE

EX100-3

Rating over-side or 360 degrees

Rating over-front

Unit: 1 000 kg (1 000 lb)

Conditions	Load point height m (ft in)	Load radius										At max. reach				
		2 (6'7")		3 (9'10")		4 (13'1")		5 (16'5")		6 (19'8")		7 (23'0")				m (ft in)
Boom 4.27 m (14'0") Arm 1.96 m (6'5") Bucket PCSA: 0.46 m ³ (0.60 yd ³) CECE: 0.40 m ³ Shoes 500 mm (20")	6 (19'8")					*2.27 (5.00)	*2.27 (5.00)							*1.26 (2.78)	*1.26 (2.78)	5.45 (17'11")
	5 (16'5")					*2.48 (5.47)	*2.48 (5.47)	*2.12 (4.67)	*2.12 (4.67)					*1.18 (2.60)	*1.18 (2.60)	6.21 (20'4")
	4 (13'1")					*2.70 (5.95)	*2.70 (5.95)	2.17 (4.78)	*2.63 (5.80)					*1.15 (2.54)	*1.15 (2.54)	6.70 (22'0")
	3 (9'10")			*4.04 (8.91)	*4.04 (8.91)	3.08 (6.79)	*3.26 (7.19)	2.10 (4.63)	2.79 (6.15)	1.51 (3.33)	2.02 (4.45)			1.13 (2.49)	*1.16 (2.56)	6.99 (22'11")
	2 (6'7")					2.89 (6.37)	3.91 (8.62)	2.01 (4.43)	2.69 (5.93)	1.47 (3.24)	1.98 (4.37)			1.07 (2.36)	*1.20 (2.65)	7.10 (23'4")
	1 (3'3")					2.72 (6.00)	3.72 (8.20)	1.92 (4.23)	2.60 (5.73)	1.42 (3.13)	1.93 (4.26)			1.07 (2.36)	*1.28 (2.82)	7.04 (23'1")
	0 (Ground)					2.62 (5.78)	3.61 (7.96)	1.85 (4.08)	2.53 (5.58)	1.38 (3.04)	1.89 (4.17)			1.12 (2.47)	*1.41 (3.11)	6.81 (22'4")
	-1 (-3'3")			4.15 (9.15)	5.94 (13.1)	2.58 (5.69)	3.57 (7.87)	1.82 (4.01)	2.49 (5.49)	1.36 (3.00)	1.87 (4.12)			1.24 (2.73)	*1.61 (3.55)	6.39 (21'0")
	-2 (-6'7")	*6.38 (14.1)	*6.38 (14.1)	4.18 (9.22)	5.98 (13.2)	2.58 (5.69)	3.57 (7.87)	1.82 (4.01)	2.49 (5.49)					1.51 (3.33)	*1.95 (4.30)	5.73 (18'10")
	-3 (-9'10")	*6.56 (14.5)	*6.56 (14.5)	4.26 (9.39)	*5.24 (11.6)	2.63 (5.80)	3.63 (7.96)	1.87 (4.12)	2.54 (5.60)							
Boom 4.27 m (14'0") Arm 2.26 m (7'5") Bucket PCSA: 0.46 m ³ (0.60 yd ³) CECE: 0.40 m ³ Shoes 500 mm (20")	6 (19'8")													*1.08 (23.8)	*1.08 (23.8)	5.81 (19'1")
	5 (16'5")							*2.20 (4.85)	*2.20 (4.85)					*1.01 (2.23)	*1.01 (2.23)	6.53 (21'5")
	4 (13'1")							2.20 (4.85)	*2.43 (5.36)	1.55 (3.42)	*1.76 (3.88)			*9.89 (21.8)	*9.89 (21.8)	6.99 (22'11")
	3 (9'10")			*3.29 (7.25)	*3.29 (7.25)	*3.00 (6.62)	*3.00 (6.62)	2.13 (4.70)	*2.70 (5.95)	1.53 (3.37)	2.04 (4.50)			*1.00 (2.21)	*1.00 (2.21)	7.26 (23'10")
	2 (6'7")			4.66 (10.3)	*5.21 (11.5)	2.94 (6.48)	*3.76 (8.29)	2.03 (4.48)	2.72 (6.00)	1.48 (3.26)	1.99 (4.39)			1.00 (2.21)	*1.04 (2.29)	7.37 (24'2")
	1 (3'3")					2.75 (6.06)	3.76 (8.29)	1.93 (4.26)	2.61 (5.76)	1.42 (3.13)	1.93 (4.26)			0.99 (2.18)	*1.11 (2.45)	7.31 (24'0")
	0 (Ground)			4.15 (9.15)	*4.89 (10.8)	2.63 (5.80)	3.62 (7.98)	1.86 (4.10)	2.53 (5.58)	1.38 (3.04)	1.89 (4.17)			1.03 (2.27)	*1.22 (2.69)	7.10 (23'4")
	-1 (-3'3")			4.12 (9.08)	5.91 (13.0)	2.57 (5.67)	3.56 (7.85)	1.81 (4.02)	2.48 (5.47)	1.35 (2.98)	1.86 (4.10)			1.14 (2.51)	*1.39 (3.06)	6.70 (22'0")
	-2 (-6'7")	*5.70 (12.6)	*5.70 (12.6)	4.14 (9.13)	5.93 (13.1)	2.56 (5.64)	3.55 (7.83)	1.80 (3.97)	2.47 (5.45)	1.36 (3.00)	1.86 (4.10)			1.36 (3.00)	*1.68 (3.70)	6.07 (19'11")
	-3 (-9'10")	*7.37 (16.3)	*7.37 (16.3)	4.21 (9.28)	*5.62 (12.4)	2.60 (5.73)	3.59 (7.92)	1.83 (4.04)	2.50 (5.51)					1.83 (4.04)	*2.24 (4.94)	5.12 (16'10")
-4 (-13'1")			*4.19 (9.24)	*4.19 (9.24)	2.70 (5.95)	*3.12 (6.88)										
Boom 4.27 m (14'0") Arm 2.81 m (9'3") Bucket PCSA: 0.40 m ³ (0.52 yd ³) CECE: 0.33 m ³ Shoes 500 mm (20")	6 (19'8")							*1.69 (3.73)	*1.69 (3.73)					*0.98 (2.16)	*0.98 (2.16)	6.43 (21'1")
	5 (16'5")							*1.95 (4.30)	*1.95 (4.30)	*1.40 (3.09)	*1.40 (3.09)			*0.93 (2.05)	*0.93 (2.05)	7.07 (23'2")
	4 (13'1")							*2.06 (4.54)	*2.06 (4.54)	1.61 (3.55)	*1.94 (4.28)			*0.91 (2.01)	*0.91 (2.01)	7.50 (24'7")
	3 (9'10")					*2.37 (5.23)	*2.37 (5.23)	2.19 (4.83)	2.36 (5.20)	1.57 (3.46)	2.09 (4.61)	1.15 (2.54)	*1.33 (2.93)	*0.93 (2.05)	*0.93 (2.05)	7.75 (25'5")
	2 (6'7")			*4.24 (9.35)	*4.24 (9.35)	3.04 (6.70)	*3.27 (7.21)	2.09 (4.61)	2.78 (6.13)	1.51 (3.33)	2.03 (4.48)	1.12 (2.47)	1.53 (3.37)	0.90 (1.98)	*0.96 (2.12)	7.85 (25'9")
	1 (3'3")			4.35 (9.59)	*5.73 (12.6)	2.83 (6.24)	3.84 (8.47)	1.97 (4.34)	2.66 (5.87)	1.45 (3.20)	1.96 (4.32)	1.09 (2.40)	1.49 (3.29)	0.89 (1.96)	*1.03 (2.27)	7.80 (25'7")
	0 (Ground)			4.20 (9.26)	6.00 (13.2)	2.67 (5.89)	3.66 (8.07)	1.88 (4.15)	2.55 (5.62)	1.39 (3.06)	1.90 (4.19)	1.06 (2.34)	1.46 (3.22)	0.92 (2.03)	*1.13 (2.49)	7.59 (24'11")
	-1 (-3'3")	*3.15 (6.95)	*3.15 (6.95)	4.09 (9.02)	5.88 (13.0)	2.57 (5.67)	3.56 (7.85)	1.81 (3.99)	2.48 (5.47)	1.35 (2.98)	1.85 (4.08)	1.04 (2.29)	1.44 (3.18)	0.99 (2.18)	*1.28 (2.82)	7.23 (23'9")
	-2 (-6'7")	*5.11 (11.3)	*5.11 (11.3)	4.08 (9.00)	5.86 (12.9)	2.53 (5.58)	3.52 (7.76)	1.78 (3.92)	2.45 (5.40)	1.33 (2.93)	1.84 (4.06)			1.15 (2.54)	*1.53 (3.37)	6.60 (21'8")
	-3 (-9'10")	*7.70 (17.0)	*7.70 (17.0)	4.12 (9.08)	5.91 (13.0)	2.55 (5.62)	3.53 (7.78)	1.79 (3.95)	2.46 (5.42)	1.46 (3.22)	*1.98 (4.37)			1.46 (3.22)	*1.98 (4.37)	5.83 (19'2")
-4 (-13'1")	*6.91 (15.2)	*6.91 (15.2)	4.22 (9.31)	*5.12 (11.3)	2.61 (5.76)	3.60 (7.94)	1.85 (4.08)	2.52 (5.56)								

- Notes:
1. Ratings are based on SAE J1097.
 2. Lifting capacity of the Super EX Series does not exceed 75% of tipping load with the machine on firm, level ground or 87% full hydraulic capacity.
 3. The load point is a hook (not standard equipment) loaded on the back of the bucket.
 4. *Indicates load limited by hydraulic capacity.

METRIC MEASURE

EX100M-3



Rating over-side or 360 degrees

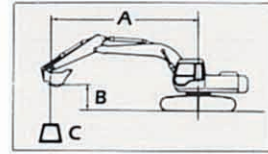


Rating over-front

Unit: 1 000 kg (1 000 lb)

Conditions	Load point height m (ft in)	Load radius										At max. reach					
		2 (6'7")		3 (9'10")		4 (13'1")		5 (16'5")		6 (19'8")		7 (23'0")		m (ft in)	@ (ft in)		
Boom 4.27 m (14'0") Arm 1.96 m (6'5") Bucket PCSA: 0.46 m ³ (0.60 yd ³) CECE: 0.40 m ³ Shoes 700 mm (28")	6 (19'8")					*2.48 (5.47)	*2.48 (5.47)							*1.24 (2.73)	*1.24 (2.73)	5.61 (18'5")	
	5 (16'5")					*2.49 (5.49)	*2.49 (5.49)	*2.37 (5.23)	*2.37 (5.23)					*1.17 (2.58)	*1.17 (2.58)	6.32 (20'9")	
	4 (13'1")					*2.78 (6.13)	*2.78 (6.13)	2.55 (5.62)	*2.66 (5.87)					*1.15 (2.54)	*1.15 (2.54)	6.77 (22'3")	
	3 (9'10")			*4.34 (9.57)	*4.34 (9.57)	*3.39 (7.47)	*3.39 (7.47)	2.48 (5.47)	*2.94 (6.48)	1.81 (3.99)	*2.62 (5.78)			*1.16 (2.56)	*1.16 (2.56)	7.02 (23'0")	
	2 (6'7")					3.39 (7.47)	*4.14 (9.13)	2.39 (5.27)	*3.32 (7.32)	1.77 (3.90)	2.73 (6.02)			*1.21 (2.67)	*1.21 (2.67)	7.10 (23'4")	
	1 (3'3")					3.24 (7.14)	*4.76 (10.5)	2.30 (5.07)	3.60 (7.94)	1.72 (3.79)	2.68 (5.91)			*1.30 (2.87)	*1.30 (2.87)	7.01 (23'0")	
	0 (Ground)			4.83 (10.7)	*4.90 (10.8)	3.14 (6.92)	*5.05 (11.1)	2.24 (4.94)	3.53 (7.78)	1.68 (3.70)	2.64 (5.82)			1.40 (3.09)	*1.44 (3.18)	6.75 (22'2")	
	-1 (-3'3")			4.99 (11.0)	*6.64 (14.6)	3.11 (6.86)	*5.03 (11.1)	2.21 (4.87)	3.49 (7.70)	1.67 (3.68)	2.63 (5.80)			1.57 (3.46)	*1.66 (3.66)	6.29 (20'8")	
	-2 (-6'7")		*5.87 (12.9)	*5.87 (12.9)	5.03 (11.0)	*6.04 (13.3)	3.12 (6.88)	*4.69 (10.3)	2.21 (4.87)	3.50 (7.72)				1.92 (4.23)	*2.04 (4.50)	5.57 (18'3")	
	-3 (-9'10")		*6.21 (13.7)	*6.21 (13.7)	*5.01 (11.0)	*5.01 (11.0)	3.18 (7.01)	*3.19 (8.62)									
	Boom 4.27 m (14'0") Arm 2.26 m (7'5") Bucket PCSA: 0.46 m ³ (0.60 yd ³) CECE: 0.40 m ³ Shoes 700 mm (28")	6 (19'8")													*1.06 (2.34)	*1.06 (2.34)	5.97 (19'7")
		5 (16'5")							*2.30 (5.07)	*2.30 (5.07)					*1.00 (2.21)	*1.00 (2.21)	6.63 (21'9")
4 (13'1")						*2.52 (5.56)	*2.52 (5.56)	*2.46 (5.42)	*2.46 (5.42)	1.86 (4.10)	*1.93 (4.26)			*0.99 (2.18)	*0.99 (2.18)	7.05 (23'2")	
3 (9'10")				*3.82 (8.42)	*3.82 (8.42)	*3.12 (6.88)	*3.12 (6.88)	2.51 (5.53)	*2.77 (6.11)	1.83 (4.04)	*2.56 (5.64)			*1.00 (2.21)	*1.00 (2.21)	7.29 (23'11")	
2 (6'7")				5.25 (11.6)	*5.36 (11.8)	3.44 (7.59)	*3.90 (8.60)	2.41 (5.31)	*3.17 (6.99)	1.78 (3.92)	2.75 (6.06)			*1.05 (2.32)	*1.05 (2.32)	7.37 (24'2")	
1 (3'3")						3.26 (7.19)	*4.58 (10.1)	2.31 (5.09)	*3.56 (7.85)	1.72 (3.79)	2.69 (5.93)			*1.12 (2.47)	*1.12 (2.47)	7.29 (23'11")	
0 (Ground)				4.98 (11.0)	*5.17 (11.4)	3.15 (6.95)	*4.98 (11.0)	2.24 (4.94)	3.53 (7.78)	1.68 (3.70)	2.64 (5.82)			*1.43 (3.15)	*1.43 (3.15)	6.60 (21'8")	
-1 (-3'3")			*3.39 (7.47)	*3.39 (7.47)	4.96 (10.9)	*6.82 (15.0)	3.10 (6.84)	5.04 (11.1)	2.20 (4.85)	3.49 (7.70)	1.66 (3.66)	2.62 (5.78)			2.24 (4.94)	*3.14 (6.92)	4.90 (16'1")
-2 (-6'7")			*6.30 (13.9)	*6.30 (13.9)	4.99 (11.0)	*6.32 (13.9)	3.10 (6.84)	*4.81 (10.6)	2.19 (4.83)	3.48 (7.67)				1.73 (3.81)	*1.75 (3.86)	5.93 (19'5")	
-3 (-9'10")			*7.07 (15.6)	*7.07 (15.6)	5.06 (11.2)	*5.42 (12.0)	3.14 (6.92)	*4.19 (9.24)									
Boom 4.27 m (14'0") Arm 2.81 m (9'3") Bucket PCSA: 0.40 m ³ (0.52 yd ³) CECE: 0.33 m ³ Shoes 700 mm (28")		6 (19'8")							*1.78 (3.92)	*1.78 (3.92)					*0.96 (2.12)	*0.96 (2.12)	6.57 (21'7")
		5 (16'5")							*1.95 (4.30)	*1.95 (4.30)	*1.56 (3.44)	*1.56 (3.44)			*0.92 (2.03)	*0.92 (2.03)	7.16 (23'6")
	4 (13'1")							*2.10 (4.63)	*2.10 (4.63)	1.92 (4.23)	*2.00 (4.41)			*0.91 (2.01)	*0.91 (2.01)	7.55 (24'9")	
	3 (9'10")					*2.50 (5.51)	*2.50 (5.51)	*2.43 (5.36)	*2.43 (5.36)	1.87 (4.12)	*2.32 (5.12)	1.40 (3.09)	*1.43 (3.15)	*0.93 (2.05)	*0.93 (2.05)	7.78 (25'6")	
	2 (6'7")			*4.56 (10.1)	*4.56 (10.1)	*3.42 (7.54)	*3.42 (7.54)	2.46 (5.42)	*2.87 (6.33)	1.81 (3.99)	*2.56 (5.64)	1.37 (3.02)	*1.83 (4.04)	*0.97 (2.14)	*0.97 (2.14)	7.85 (25'9")	
	1 (3'3")			5.14 (11.3)	*5.98 (13.2)	3.33 (7.34)	*4.21 (9.28)	2.35 (5.18)	*3.32 (7.32)	1.75 (3.86)	2.71 (5.98)	1.34 (2.95)	*2.06 (4.54)	*1.04 (2.29)	*1.04 (2.29)	7.77 (25'6")	
	0 (Ground)			5.00 (11.0)	*6.46 (14.2)	3.18 (7.01)	*4.77 (10.5)	2.55 (4.96)	3.55 (7.83)	1.69 (3.73)	2.65 (5.84)	1.31 (2.89)	*2.04 (4.50)	*1.15 (2.54)	*1.15 (2.54)	7.54 (24'9")	
	-1 (-3'3")		*3.48 (7.67)	*3.48 (7.67)	4.92 (10.8)	*6.96 (15.3)	3.09 (6.81)	*5.02 (11.1)	2.19 (4.83)	3.49 (7.70)	1.65 (3.64)	2.61 (5.76)			1.26 (2.78)	*1.32 (2.91)	7.14 (23'5")
	-2 (-6'7")		*5.52 (12.2)	*5.52 (12.2)	4.92 (10.8)	*6.69 (14.8)	3.07 (6.77)	*4.96 (10.9)	2.17 (4.78)	3.46 (7.63)	1.64 (3.62)	2.60 (5.73)			1.46 (3.22)	*1.59 (3.51)	6.53 (21'5")
	-3 (-9'10")		*8.28 (18.3)	*8.28 (18.3)	4.97 (11.0)	*6.03 (13.3)	3.09 (6.81)	*4.57 (10.1)	2.18 (4.81)	3.47 (7.65)					1.88 (4.15)	*2.10 (4.63)	5.64 (18'6")
	-4 (-13'1")		*6.50 (14.3)	*6.50 (14.3)	*4.85 (10.7)	*4.85 (10.7)	3.16 (6.97)	*3.68 (8.11)									

- Notes: 1. Ratings are based on SAE J1097.
 2. Lifting capacity of the Super EX Series does not exceed 75% of tipping load with the machine on firm, level ground or 87% full hydraulic capacity.
 3. The load point is a hook (not standard equipment) loaded on the back of the bucket.
 4. *Indicates load limited by hydraulic capacity.



A: Load radius
B: Load point height
C: Lifting capacity

METRIC MEASURE

EX100-3 with Off-set front

Rating over-side or 360 degrees Rating over-front Unit: 1 000 kg (1 000 lb)

Conditions	Load point height m (ft in)	Load radius										At max. reach						
		2 (6'7")		3 (9'10")		4 (13'1")		5 (16'5")		6 (19'8")		m (ft in)		@ m (ft in)				
Arm 1.96 m (6'5") Bucket PCSA: 0.46 m ³ (0.60 yd ³) CECE: 0.40 m ³ Shoes 500 mm (20")	6 (19'8")																	
	5 (16'5")							*1.70 (3.75)	*1.70 (3.75)					*0.77 (1.70)	*0.77 (1.70)	6.43 (21'1")		
	4 (13'1")							*1.76 (3.88)	*1.76 (3.88)	*1.44 (3.18)	*1.44 (3.18)			*0.74 (1.63)	*0.74 (1.63)	6.90 (22'8")		
	3 (9'10")					*2.24 (4.94)	*2.24 (4.94)	*2.03 (4.48)	*2.03 (4.48)	1.41 (3.11)	1.95 (4.30)			*0.74 (1.63)	*0.74 (1.63)	7.17 (23'6")		
	2 (6'7")					2.74 (6.04)	*3.01 (6.64)	1.89 (4.17)	*2.44 (5.38)	1.34 (2.95)	1.87 (4.12)			*0.76 (1.68)	*0.76 (1.68)	7.28 (23'11")		
	1 (3'3")					2.45 (5.40)	3.49 (7.70)	1.73 (3.81)	2.44 (5.38)	1.25 (2.76)	1.79 (3.95)			*0.80 (1.76)	*0.80 (1.76)	7.23 (23'9")		
	0 (Ground)					2.28 (5.03)	3.30 (7.28)	1.61 (3.55)	2.31 (5.09)	1.18 (2.60)	1.71 (3.77)			*0.88 (1.94)	*0.88 (1.94)	7.00 (23'0")		
	-1 (-3'3")			3.58 (7.89)	5.38 (11.9)	2.21 (4.87)	3.22 (7.10)	1.55 (3.42)	2.24 (4.94)	1.15 (2.54)	1.67 (3.68)			0.99 (2.18)	*1.00 (2.21)	6.60 (21'8")		
	-2 (-6'7")	*6.00 (13.2)	*6.00 (13.2)	3.64 (8.03)	5.46 (12.0)	2.21 (4.87)	3.22 (7.10)	1.54 (3.40)	2.24 (4.94)					*1.20 (2.65)	*1.20 (2.65)	5.96 (19'7")		
	-3 (-9'10")	*7.46 (16.4)	*7.46 (16.4)	3.76 (8.29)	5.58 (12.3)	2.28 (5.03)	3.30 (7.28)							1.61 (3.55)	2.30 (5.07)	4.98 (16'4")		
	-4 (-13'1")	*6.63 (14.6)	*6.63 (14.6)	4.00 (8.82)	*4.82 (10.6)	2.48 (5.47)	*3.50 (7.72)											

EX100-3 with Rubber crawler

Unit: 1 000 kg (1 000 lb)

Conditions	Load point height m (ft in)	Load radius										At max. reach						
		2 (6'7")		3 (9'10")		4 (13'1")		5 (16'5")		6 (19'8")		m (ft in)		@ m (ft in)				
Boom 4.27 m (14'0") Arm 2.26 m (7'5") Bucket PCSA: 0.46 m ³ (0.60 yd ³) CECE: 0.40 m ³ Shoes R500 mm (20")	6 (19'8")																	
	5 (16'5")							2.22 (4.90)	*2.23 (4.92)					*1.01 (2.23)	*1.01 (2.23)	6.55 (21'6")		
	4 (13'1")							2.19 (4.83)	*2.43 (5.36)	1.54 (3.40)	*1.80 (3.97)			*0.99 (2.18)	*0.99 (2.18)	7.01 (23'0")		
	3 (9'10")			*3.40 (7.50)	*3.40 (7.50)	*3.02 (6.66)	*3.02 (6.66)	2.12 (4.67)	*2.72 (6.00)	1.52 (3.35)	2.03 (4.48)			*1.00 (2.21)	*1.00 (2.21)	7.27 (23'10")		
	2 (6'7")			4.58 (10.1)	*5.24 (11.6)	2.92 (6.44)	*3.79 (8.36)	2.02 (4.45)	2.70 (6.00)	1.47 (3.24)	1.98 (4.37)			0.99 (2.18)	*1.04 (2.29)	7.37 (24'2")		
	1 (3'3")					2.73 (6.02)	3.74 (8.25)	1.92 (4.23)	2.60 (5.73)	1.41 (3.11)	1.92 (4.23)			0.99 (2.18)	*1.11 (2.45)	7.31 (24'0")		
	0 (Ground)			4.13 (9.11)	*4.95 (10.9)	2.61 (5.76)	3.60 (7.94)	1.84 (4.06)	2.52 (5.56)	1.37 (3.02)	1.87 (4.12)			1.03 (2.45)	*1.22 (2.69)	7.08 (23'3")		
	-1 (-3'3")			4.10 (9.04)	5.88 (13.0)	2.56 (5.64)	3.54 (7.81)	1.80 (3.97)	2.47 (5.45)	1.34 (2.95)	1.85 (4.08)			1.14 (2.51)	*1.40 (3.09)	6.68 (21'11")		
	-2 (-6'7")	*5.83 (12.9)	*5.83 (12.9)	4.12 (9.08)	5.91 (11.4)	2.55 (5.62)	3.53 (7.78)	1.79 (3.95)	2.46 (5.42)	1.35 (2.98)	1.85 (4.08)			1.36 (3.00)	*1.69 (3.73)	6.04 (19'10")		
	-3 (-9'10")	*7.31 (16.1)	*7.31 (16.1)	4.19 (9.24)	*5.58 (12.3)	2.59 (5.71)	3.57 (7.87)	1.82 (4.01)	2.49 (5.49)					1.85 (4.08)	*2.27 (5.01)	5.07 (16'8")		
	-4 (-13'1")			*4.11 (9.06)	*4.11 (9.06)	2.69 (5.93)	*3.04 (6.70)											

- Notes:
1. Ratings are based on SAE J1097.
 2. Lifting capacity of the Super EX Series does not exceed 75% of tipping load with the machine on firm, level ground or 87% of full hydraulic capacity.
 3. The load point is a hook (not standard equipment) loaded on the back of the bucket.
 4. *Indicates load limited by hydraulic capacity.

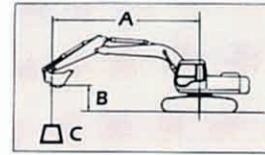
ENGLISH MEASURE

EX100-3

Rating over-side or 360 degrees Rating over-front Unit: 1 000 lb

Conditions	Load point height ft In	Load radius										At max. reach				
		5'0"		10'0"		15'0"		20'0"		ft in				@ft In		
Boom 14'0" Arm 6'5" Bucket PCSA: 0.60 yd ³ Shoes 20"	15'0"					*5.62	*5.62							*2.56	*2.56	21'2"
	10'0"			*8.64	*8.64	5.42	*6.60	3.22	4.32					2.50	*2.55	22'11"
	5'0"					5.01	*6.76	3.09	4.19					2.34	*2.72	23'3"
	0 (Ground)					4.70	6.42	2.96	4.05					2.46	*3.10	22'4"
	-5'0"			8.92	12.7	4.60	6.31							2.99	*3.89	19'11"
	-10'0"			9.15	*11.3	4.72	6.44							4.84	*5.25	15'2"
Boom 14'0" Arm 7'5" Bucket PCSA: 0.60 yd ³ Shoes 20"	15'0"					*5.11	*5.11							*2.20	*2.20	22'2"
	10'0"					5.50	*6.14	3.27	4.37					*2.20	*2.20	23'10"
	5'0"					5.07	6.82	3.11	4.21					2.18	*2.35	24'2"
	0 (Ground)			8.91	*11.6	4.71	6.44	2.96	4.05					2.28	*2.68	23'3"
	-5'0"	*7.52	*7.52	8.84	*12.6	4.57	6.29	2.90	3.99					2.72	*3.35	21'0"
	-10'0"			9.03	*12.1	4.64	6.36							4.12	*5.03	16'7"
Boom 14'0" Arm 9'3" Bucket PCSA: 0.52 yd ³ Shoes 20"	15'0"							3.45	*3.57					*2.02	*2.02	23'10"
	10'0"					*5.27	*5.27	3.36	4.48					*2.04	*2.04	25'5"
	5'0"			10.1	*10.9	5.20	6.97	3.17	4.28					1.96	*2.18	25'9"
	0 (Ground)			9.02	12.9	4.77	6.51	2.98	4.08					2.02	*2.49	24'11"
	-5'0"	*7.28	*7.28	8.75	12.5	4.55	6.26	2.87	3.96					2.34	*3.08	22'10"
	-10'0"	*14.6	*14.6	8.84	12.6	4.54	6.26							3.26	*4.44	18'11"
	-15'0"			*9.03	*9.03											

- Notes:
1. Ratings are based on SAE J1097.
 2. Lifting capacity of the Super EX Series does not exceed 75% of tipping load with the machine on firm, level ground or 87% of full hydraulic capacity.
 3. The load point is a hook (not standard equipment) loaded on the back of the bucket.
 4. *Indicates load limited by hydraulic capacity.



A: Load radius
B: Load point height
C: Lifting capacity

ENGLISH MEASURE

EX100M-3

Rating over-side or 360 degrees Rating over-front Unit: 1 000 lb

Conditions	Load point height ft in	Load radius										At max. reach						
		5'0"		10'0"		15'0"		20'0"										
														@ft in				
Boom 14'0" Arm 6'5" Bucket PCSA: 0.60 yd ³ Shoes 28"	15'0"					*5.67	*5.67									*2.55	*2.55	21'5"
	10'0"			*9.24	*9.24	6.36	*6.78	3.88	*5.22							*2.56	*2.56	23'0"
	5'0"					5.94	*8.46	3.74	5.81							*2.75	*2.75	23'3"
	0 (Ground)					5.65	8.98	3.62	5.68							3.09	*3.17	22'2"
	-5'0"	*8.77	*8.77	10.7	*13.9	5.57	8.90									3.79	*4.03	19'6"
	-10'0"			*10.8	*10.8	5.73	*7.11											
Boom 14'0" Arm 7'5" Bucket PCSA: 0.60 yd ³ Shoes 28"	15'0"					*5.17	*5.17									*2.19	*2.19	22'5"
	10'0"			*8.08	*8.08	*6.33	*6.33	3.92	*5.35							*2.21	*2.21	23'11"
	5'0"					5.99	*8.10	3.76	5.84							*2.37	*2.37	24'1"
	0 (Ground)			10.7	*12.2	5.66	9.00	3.61	5.68							*2.74	*2.74	23'1"
	-5'0"	*8.64	*8.64	10.7	*14.3	5.54	8.86	3.57	5.63							3.45	*3.47	20'7"
	-10'0"			10.9	*11.7	5.64	*7.82									*5.29	*5.29	15'10"
Boom 14'0" Arm 9'3" Bucket PCSA: 0.52 yd ³ Shoes 28"	15'0"							*3.79	*3.79							*2.02	*2.02	24'1"
	10'0"					*5.46	*5.46	4.01	*5.00							*2.05	*2.05	25'6"
	5'0"			*11.6	*11.6	6.12	*7.37	3.82	*5.86							*2.21	*2.21	25'8"
	0 (Ground)			10.8	*14.8	5.71	*8.97	3.63	5.70							*2.54	*2.54	24'9"
	-5'0"	*8.06	*8.06	10.5	*14.9	5.51	8.83	3.53	5.59							2.98	*3.19	22'6"
	-10'0"	*15.7	*15.7	10.7	*13.0	5.53	*8.64									4.20	*4.72	18'4"

- Notes: 1. Ratings are based on SAE J1097.
2. Lifting capacity of the Super EX Series does not exceed 75% of tipping load with the machine on firm, level ground or 87% of full hydraulic capacity.
3. The load point is a hook (not standard equipment) loaded on the back of the bucket.
4. *Indicates load limited by hydraulic capacity.

ENGLISH MEASURE

EX100-3 with Off-set front

Rating over-side or 360 degrees Rating over-front Unit: 1 000 lb

Conditions	Load point height ft in	Load radius										At max. reach				
		5'0"		10'0"		15'0"		20'0"		ft in						
														@ft in		
Arm 6'5" Bucket PCSA: 0.60 yd ³ Shoes 20"	15'0"													*1.64	*1.64	21'10"
	10'0"					*4.55	*4.55	2.99	4.15					*1.60	*1.60	23'6"
	5'0"					4.61	*6.34	2.75	3.90					*1.69	*1.69	23'10"
	0 (Ground)					4.08	5.86	2.52	3.65					*1.92	*1.92	23'0"
	-5'0"			7.70	11.5	3.89	5.66	2.45	3.58					2.38	*2.39	20'8"
	-10'0"	*13.0	*13.0	8.04	11.9	4.05	5.83							*3.54	*3.54	16'2"

EX100-3 with Rubber crawler

Unit: 1 000 lb

Conditions	Load point height ft in	Load radius										At max. reach				
		5'0"		10'0"		15'0"		20'0"		ft in						
														@ft in		
Boom 14'0" Arm 7'5" Bucket PCSA: 0.60 yd ³ Shoes R20"	15'0"					*5.12	*5.12							*2.20	*2.20	22'3"
	10'0"			*7.22	*7.22	5.47	*6.18	3.25	4.35					*2.20	*2.20	23'10"
	5'0"					5.03	6.78	3.09	4.18					2.17	*2.35	24'2"
	0 (Ground)			8.86	*11.8	4.68	6.40	2.94	4.03					2.27	*2.69	23'3"
	-5'0"	*7.77	*7.77	8.80	12.6	4.54	6.25	2.88	3.97					2.72	*3.38	20'11"
	-10'0"			8.99	*12.0	4.62	6.34							4.16	*5.11	16'5"

- Notes: 1. Ratings are based on SAE J1097.
 2. Lifting capacity of the Super EX Series does not exceed 75% of tipping load with the machine on firm, level ground or 87% of full hydraulic capacity.
 3. The load point is a hook (not standard equipment) loaded on the back of the bucket.
 4. *Indicates load limited by hydraulic capacity.



STANDARD EQUIPMENT

Standard equipment may vary by country, so please consult your Hitachi dealer for details.

ENGINE

- 30 A alternator
- Dry-type air filter with evacuator valve (with safety element)
- Cartridge-type engine oil filter
- Cartridge-type engine oil bypass filter
- Cartridge type fuel filter
- Radiator and oil cooler with dust protective net
- Radiator reserve tank
- Fan guard
- Isolation-mounted engine
- Auto-idling system

HYDRAULIC SYSTEM

- Load-sensing system
- Flow dividing control system
- Work mode selector
- Engine speed sensing system
- E-P control system (power mode selector)
- FPS
- Hydraulic warm-up control system for hydraulic oil
- Quick warm-up system for pilot circuit
- Shockless valve in pilot circuit
- Swing cushion valve in swing circuit

- Accumulator in pilot circuit (except North America)
- Boom-arm holding valve
- Control valve with main relief valve
- Extra port for control valve
- Suction filter
- Full-flow filter
- Pilot filter

CAB

All-weather sound-suppressed steel cab equipped with reinforced, tinted (bronze color) glass windows, openable front windows-upper with assist spring, and lower and both side windows with intermittent windshield wipers, front window washer, curved rear window, side mirror (North America only), adjustable suspension seat with adjustable armrests, footrest, electric double horn, auto-tuning radio with digital clock or without digital clock in North America, auto-idle switch, seat belt, cigarette lighter (except North America), ashtray, parcel pocket, rear tray, floor mat, heater, and pilot control shut-off lever, travel alarm with cancel switch (North America only).

MONITOR SYSTEM

- Meters: Hourmeter, engine coolant temperature gauge and fuel meter.
- Warning lamps: Alternator charge, engine oil pressure, engine overheat, air cleaner clog and minimum fuel level.
- Pilot lamps: Engine preheat, engine oil level, engine coolant level and hydraulic oil level
- Alarm buzzers: Engine oil pressure and engine overheat.

LIGHTS

- 2 working lights and 1 cab light

UPPERSTRUCTURE

- Undercover
- 1 750 kg (3 860 lb) counterweight
- Fuel level gauge
- Hydraulic oil level gauge
- Tool box
- Utility space
- Rearview mirror (right side)
- Swing parking brake

UNDERCARRIAGE

- Travel parking brake
- Travel motor covers
- Hydraulic track adjuster
- Bolt-on sprocket
- Upper rollers and lower rollers
- Reinforced track links with pin seals
- 500 mm (20") triple grouser shoes with EX100-3
- 700 mm (28") triple grouser shoes with EX100M-3

FRONT ATTACHMENTS

- Bucket clearance adjust mechanism
- Monolithically cast bucket link A
- Centralized lubrication system
- Dirt seals on all bucket pins
- 2.26 m (7'5") arm
- 0.46 m³ (0.60 yd³: PCSA heaped) bucket

MISCELLANEOUS

- Standard tool kit
- Lockable machine covers
- Lockable fuel filling cap
- Skid-resistant tapes and handrails.



OPTIONAL EQUIPMENT

Optional equipment may vary by country, so please consult your Hitachi dealer for details.

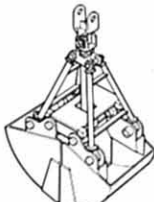
- Air conditioner
- Multi selection lever with rotary valve
- Hose rupture valves
- Electric fuel refilling pump
- Swing motion alarm device with lamps
- Travel motion alarm device
- Additional pump
- Piping kit for extra port
- PTO valve & Additional valve with piping kit

- One-point ripper for ripping hardpan
- Clamshell bucket for deep, vertical excavations like manholes, pilings, footings, etc.
- Slope-finishing blade for slope finishing jobs . . . scraping up or down, compacting, leveling, grading etc.

Type of Bucket



One-point ripper for EX100-3



Clamshell bucket for EX100-3 & EX100-3 with rubber crawler



Slope-finishing blade for EX100-3 & EX100-3 with rubber crawler

Type of Shoe

EX100-3



Triple grouser shoe 600 mm (24"), 700 mm (28")

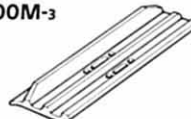


Flat shoe 510 mm (20")



Triangular shoe 700 mm (28")

EX100M-3



Triple high grouser shoe 960 mm (38")



Triangular shoe 760 mm (30"), 960 mm (38")

These specifications are subject to change without notice. Illustrations and photos show the standard models, and may or may not include optional equipment, accessories, and all standard equipment, with some differences in color and features, such as side mirror, for the models sold in North America.

Hitachi Construction Machinery Co., Ltd.

Head Office: Nippon Bldg., 6-2, 2-chome, Ohtemachi, Chiyoda-ku, Tokyo 100, Japan

Telephone: Tokyo (03) 3245-6388

Facsimile: Tokyo (03) 3246-2609

Telex: J32539 HITACONJ

Cable Address: "TOKHITACHIKENKI"