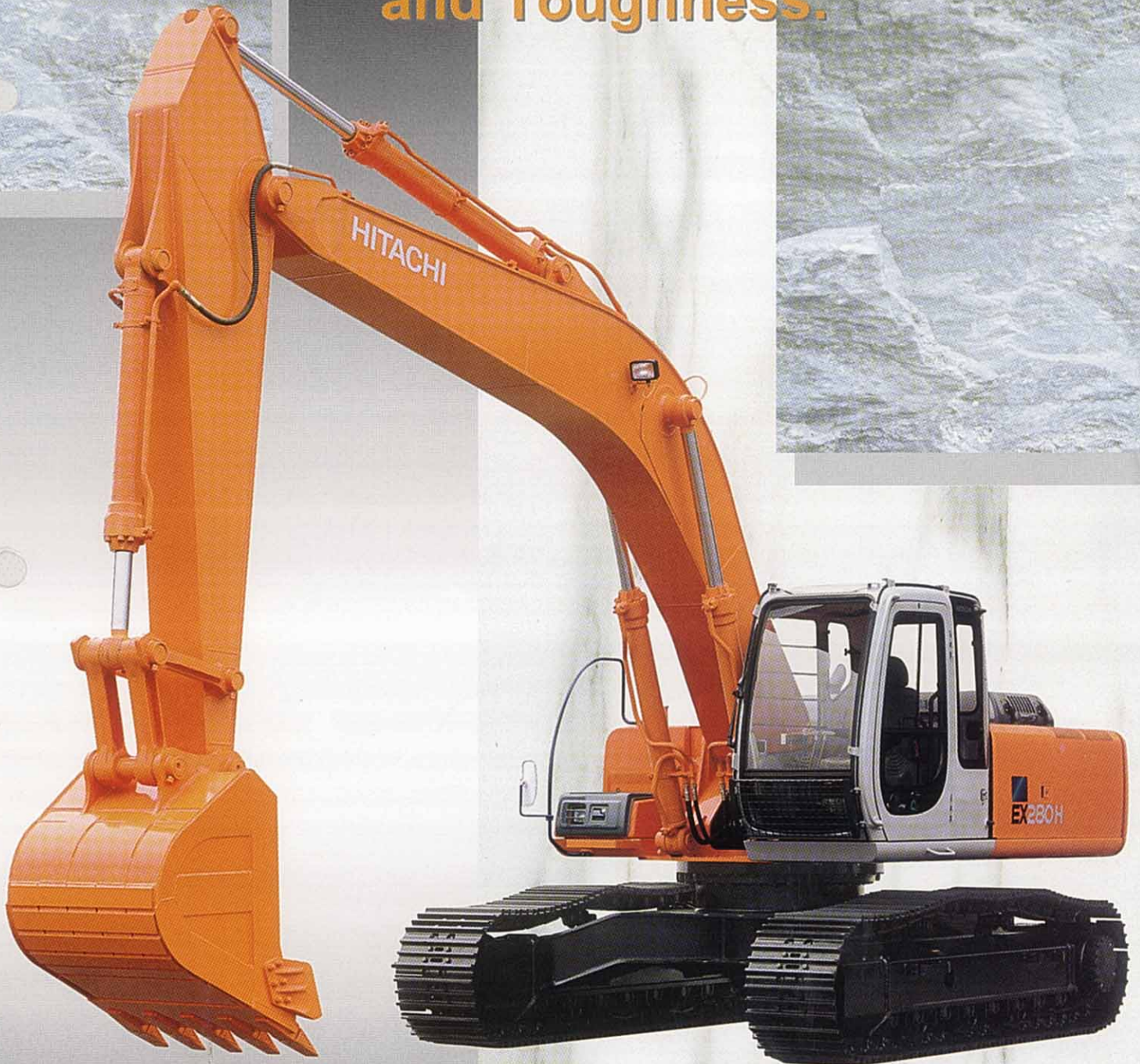


HITACHI

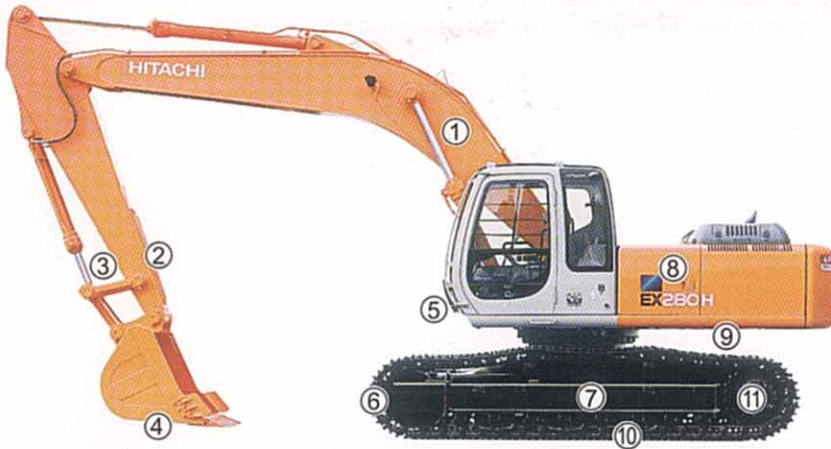
EX280H

Heavy-duty
Hydraulic Excavator

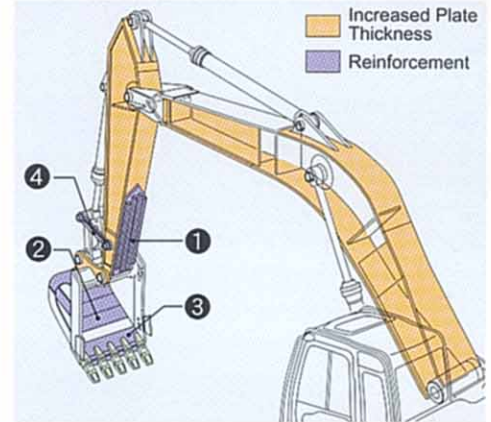
**Here Comes the EX280H
with Enhanced Strength
and Toughness.**



EX280H EX280LCH

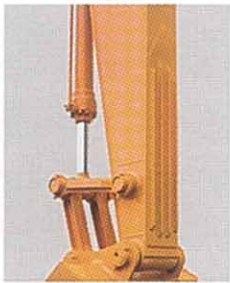


- ① Heavy-duty Boom : increased plate thickness
- ② Heavy-duty Arm : increased plate thickness plus additional protection plates and bars
- ③ Reinforced Link B
- ④ Heavy-duty Bucket : increased plate thickness plus reinforced plates
- ⑤ Cab Guard, front lower section
- ⑥ Reinforced Track Shoes
- ⑦ Reinforced Track Frame : increased plate thickness for side frame and center frame
- ⑧ Double-element System for Air Cleaner
- ⑨ Reinforced Under Cover : 4.5mm thick
- ⑩ 3-piece Track Guard, center section
- ⑪ Increased Traction Force : 8% over the standard machine

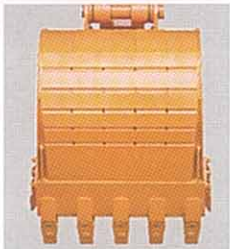


Note : The above illustration shows the reinforced parts to the EX270-5 standard machine.

- ① Protection Plates and Bars : protect the arm lower plate against damage from rocks.
- ② Anti-wear Plates : welded to the bucket bottom for providing higher wear resistance.
- ③ Reinforced Plates : welded to the cutting wedge for providing higher wear resistance.
- ④ Reinforced Steel Bar : welded to the Link B for protecting damage from rocks.



Protection Plates, Bars and Reinforced Link B



Anti-wear Plates

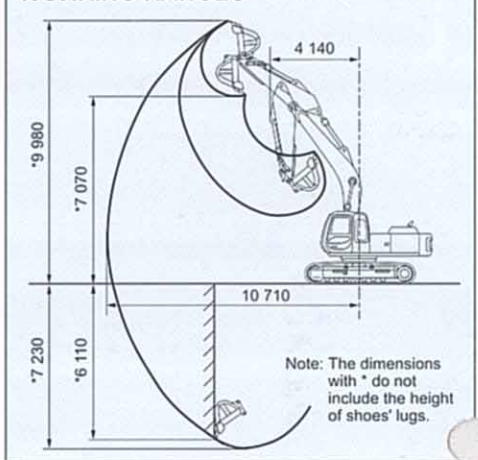


3-piece Track Guard

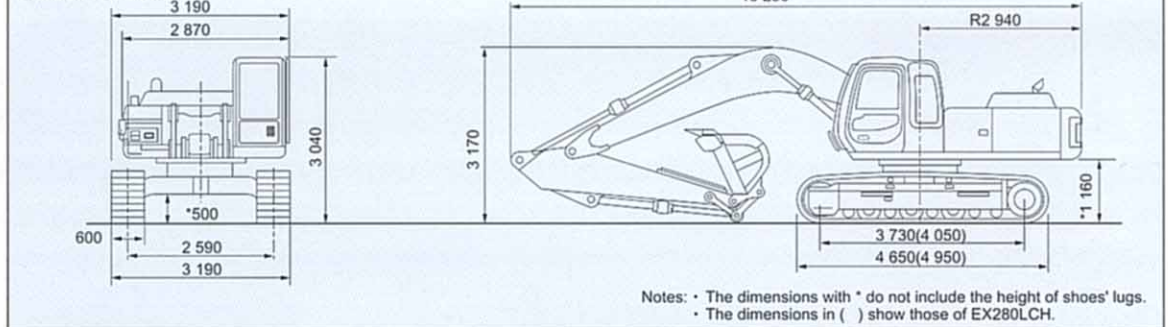
SPECIFICATIONS

	EX280H-5	EX280LCH-5	
Operating Weight	kg	27 600	28 100
Standard Bucket Capacity (PCSA Heaped)	m ³	1.10	
Ground Pressure	kPa(kgf/cm ²)	56 (0.57)	53 (0.54)
Swing Speed	min ⁻¹ (rpm)	10.6	
Travel Speed (High/Low)	km/h	4.4/2.8	
Gradeability	%(deg.)	70 (35)	
Maximum Digging Force			
Bucket	kN(kgf)	Normal Operation 182 (18 600)	Power Digging 193 (19 700)
Arm	kN(kgf)	Normal Operation 114 (11 600)	Power Digging 121 (12 300)
Engine		Hino H07C-TD	
Rated Flywheel Horsepower	kW/min ⁻¹	Normal Mode : 125/2 050 (170/2 050)	
DIN 6271, net	(PS/rpm)	H/P Mode : 132/2 150 (180/2 150)	
Fuel Tank Capacity	L	380	

WORKING RANGES



DIMENSIONS



Hitachi Construction Machinery Co., Ltd.

Head office: Nippon Bldg., 6-2, 2-chome, Ohtemachi
Chiyoda-ku, Tokyo 100-0004, Japan
Telephone: Tokyo(03)3245-6390
Facsimile: Tokyo(03)3246-2609

These specifications are subject to change without notice.