

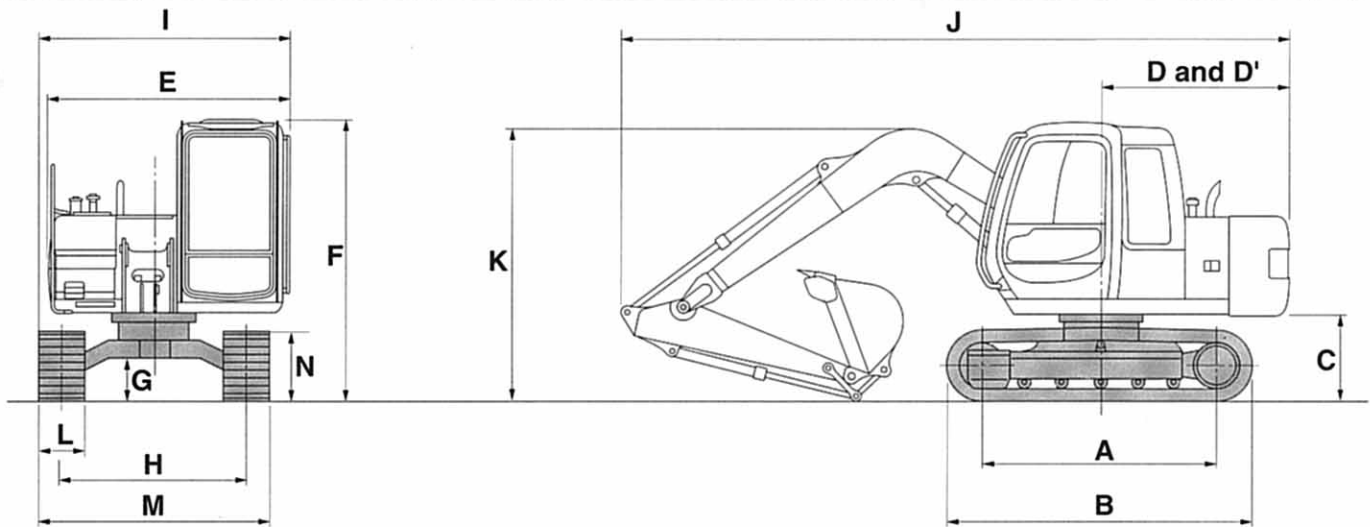
# HITACHI

# SuperEX V

## EX60

- Rated Engine HP..... 41 kW ( 55 PS )
- Operating Weight..... EX60-5 : 6 300 kg ( 13 900 lb )  
EX60LC-5 : 6 390 kg ( 14 100 lb )
- Backhoe Bucket..... PCSA Heaped : 0.11—0.34 m<sup>3</sup>  
( 0.14—0.44 yd<sup>3</sup> )  
CECE Heaped : 0.10—0.30 m<sup>3</sup>

# Specifications



|                                   | EX60-5/EX60LC-5   | EX60-5/EX60LC-5<br>with Rubber crawler | EX60-5/EX60LC-5<br>with Off-set front                              |
|-----------------------------------|---|--|--|
| A Distance between tumblers       | 2 140 mm (7'0")/2 290 mm (7'6")   | 2 140 mm (7'0")/2 290 mm (7'6")        | 2 140 mm (7'0")/2 290 mm (7'6")                                    |
| B Undercarriage length            | 2 765 mm (8'10")/2 920 mm (9'7")  | 2 765 mm (8'10")/2 920 mm (9'7")       | 2 765 mm (8'10")/2 920 mm (9'7")                                   |
| *C Counterweight clearance        | 760 mm (2'6")   | 780 mm (2'7")                          | 760 mm (2'6")  |
| D Rear-end swing radius           | 1 750 mm (5'9")   | 1 750 mm (5'9")                        | 1 750 mm (5'9")  |
| D' Rear-end length                | 1 750 mm (5'9")   | 1 750 mm (5'9")                        | 1 750 mm (5'9")  |
| E Overall width of upperstructure | 2 255 mm (7'5")   | 2 255 mm (7'5")                        | 2 255 mm (7'5")  |
| F Overall height of cab           | 2 570 mm (8'5")   | 2 570 mm (8'5")                        | 2 570 mm (8'5")  |
| *G Min.ground clearance           | 360 mm (1'2")   | 380 mm (1'3")                          | 360 mm (1'2")  |
| H Track gauge                     | 1 750 mm (5'9")/1 850 mm (6'1")   | 1 750 mm (5'9")/1 850 mm (6'1")        | 1 750 mm (5'9")/1 850 mm (6'1")                                    |
| I Overall width                   | 2 340 mm (7'8")/2 390 mm (7'10")  | 2 340 mm (7'8")/2 390 mm (7'10")       | 2 340 mm (7'8")/2 390 mm (7'10")                                   |
| J Overall length                  |   |  |  |
| With 1.62 m (5'4") arm            | 6 080 mm (19'11")   | 6 080 mm (19'11")                      | 6 200 mm (20'4")   |
| With 2.12 m (6'11") arm           | 6 120 mm (20'1")  | 6 120 mm (20'1")                       | —  |
| K Overall height of boom          |   |  |  |
| With 1.62 m (5'4") arm            | 2 550 mm (8'4")   | 2 550 mm (8'4")                        | 2 810 mm (9'3")  |
| With 2.12 m (6'11") arm           | 2 880 mm (9'5")   | 2 880 mm (9'5")                        | —  |
| L Track shoe width                | G:450 mm (18")/G:600 mm (24")   | R:450 mm (18")                         | G:450 mm (18")/G:600 mm (24")                                      |
| M Undercarriage width             | STD 2 200 mm (7'3")/2 350 mm (7'9")<br>LC 2 300 mm (7'7")/2 450 mm (8'0") | 2 200 mm (7'3")<br>2 300 mm (7'7")     | 2 200 mm (7'3")/2 350 mm (7'9")<br>2 300 mm (7'7")/2 450 mm (8'0") |
| N Track height                    | 670 mm (2'2") with triple grouser shoe                                    | 670 mm (2'2") with rubber crawler      | 670 mm (2'2") with triple grouser shoe                             |

\*Excluding track shoe lug. (Except the rubber crawler)

G: Triple grouser shoe  
R: Rubber crawler

# TECHNICAL DATA

## ENGINE

Model.....Nissan A-BD30  
 Type..... 4-cycle water-cooled,direct injection  
 Rated flywheel.....41kW(55 PS)at 2 200 min<sup>-1</sup>(rpm)  
 horsepower  
 (DIN 6271,net)  
 Rated flywheel..... 40kW(54 HP)at 2 200 min<sup>-1</sup>(rpm)  
 horsepower  
 (SAE J1349,net)  
 Maximum torque..... 181 N·m(18.5 kgf·m,134 lbf·ft)  
 at 1 500 min<sup>-1</sup>(rpm)  
 Piston displacement.....2.953 L (180 in<sup>3</sup>)  
 Bore and stroke..... 96 mm × 102 mm (3.8" × 4.0")  
 Batteries.....2 × 12 V, 52 AH  
 Governor..... Mechanical all-speed  
 by stepping motor

## HYDRAULIC SYSTEM

Hitachi's ETS(Electronic Total control System)can achieve maximum job efficiency and reduce fuel consumption/noise.

- E-P Control (Computer-aided Engine-Pump Control)System
- OHS(Optimum Hydraulic System)assures fully independent and combined operations
- Auto-idling system
- High-pressure 2-speed travel system for high traction force and travel speed

Main pumps..... 2 variable displacement axial piston pumps  
 Maximum oil flow..... 2 × 79.2 L / min  
 (20.9 US gpm,17.4 Imp gpm)  
 Pilot pump..... 1 gear pump  
 Maximum oil flow..... 23.5 L / min  
 (6.2 US gpm,5.2 Imp gpm)

### Relief Valve Settings

Implement circuit..... 26.0 MPa (265 kgf/cm<sup>2</sup>,3 770 psi)  
 Swing circuit ..... 26.0 MPa (265 kgf/cm<sup>2</sup>,3 770 psi)  
 Travel circuit ..... 31.4 MPa (320 kgf/cm<sup>2</sup>,4 550 psi)  
 Pilot circuit ..... 3.4 MPa ( 35 kgf/cm<sup>2</sup>, 550 psi)

### Hydraulic Cylinders

High-strength piston tubes are used. Cylinder cushion mechanisms are provided at the rod ends of both boom and arm cylinders to absorb shocks when pistons reach the stroke ends.

### Dimensions

|        | Q'ty. | Bore           | Rod diameter  |
|--------|-------|----------------|---------------|
| Boom   | 1     | 115 mm (4.53") | 65 mm (2.56") |
| Arm    | 1     | 95 mm (3.74")  | 60 mm (2.36") |
| Bucket | 1     | 85 mm (3.35")  | 55 mm (2.17") |

## Hydraulic Filters

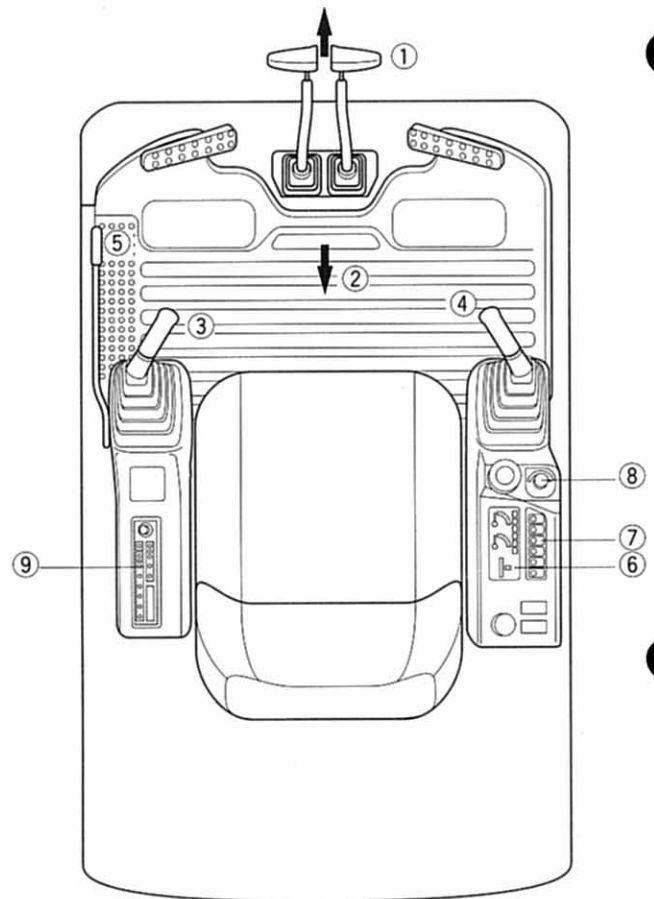
Hydraulic circuits use high-quality hydraulic filters.A suction filter is incorporated in suction line,and a 10μm full-flow filter in return line and swing/travel motor drain lines.



## CONTROLS

Pilot controls.Hitachi's original shockless valve and quick warm-up system built in the pilot circuit.Hydraulic warm-up control system for engine and hydraulic oil.

Implement levers.....2  
 Travel levers.....2



- ① Travel forward
- ② Travel reverse
- ③ Swing / Arm control lever
- ④ Boom / Bucket control lever
- ⑤ Pilot control shut-off lever
- ⑥ Monitor panel
- ⑦ Switch panel
- ⑧ Fuel throttle(Dial-type)
- ⑨ Auto-tuning radio



## UPPERSTRUCTURE

### Revolving Frame

Welded high-sturdy box construction, using heavy-gauge steel plates for ruggedness. D-section frame for resistance to deformation.

### Swing Mechanism

Axial piston motor with planetary reduction gear is bathed in oil. Swing circle is single-row, shear-type ball bearing with induction-hardened internal gear. Internal gear and pinion gear immersed in lubricant. Swing parking brake is spring-set/hydraulic-released disc type.

Swing speed.....14.5 min<sup>-1</sup>(rpm)

### Operator's Cab

Independent roomy cab, 1005 mm (40") wide by 1665 mm (66") high, conforming to ISO\* Standards. Reinforced glass windows on 4 sides for visibility. Front windows (upper and lower), openable. Adjustable reclining seat; movable without control levers and monitor panel.

\*International Standard for Organization



## UNDERCARRIAGE

### Tracks

Tractor-type undercarriage. Welded track frame, using carefully selected materials. Side frame welded to the track frame. Lubricated track rollers, idlers, and sprockets with floating seals. Track shoes with triple grousers made of induction-hardened rolled alloy. Rubber, flat and triangular shoes also available. Heat-treated connecting pins with dirt seals. Hydraulic (grease) track adjusters with shock-absorbing recoil springs.

### Numbers of Rollers and Shoes on Each Side

|                    |             |
|--------------------|-------------|
| Upper roller.....  | 1           |
| Lower rollers..... | 5           |
| Track shoes.....   | 37 EX60-5   |
|                    | 39 EX60LC-5 |

### Traction Device

Each track driven by a high-torque, axial piston motor through planetary reduction gears for counterrotation of the tracks. Sprockets are for replaceable. Parking brake is spring-set/hydraulic-released disc type. Travel shockless relief valve built in travel motor absorbs shocks when stopping travel.

Travel speeds..... High: 0 to 4.8 km/h (3.0 mph)  
Low: 0 to 3.7 km/h (2.3 mph)

Maximum traction force..... 46 kN (4 700 kgf, 10 400 lbf)

Gradeability..... 35° (70%) continuous



## SERVICE REFILL CAPACITIES

|                                      | liters | US gal | Imp gal |
|--------------------------------------|--------|--------|---------|
| Fuel tank.....                       | 135.0  | 35.7   | 29.7    |
| Engine coolant.....                  | 10.0   | 2.6    | 2.2     |
| Engine oil.....                      | 12.5   | 3.3    | 2.7     |
| Swing mechanism.....                 | 1.8    | 0.48   | 0.40    |
| Travel final device (each side)..... | 3.0    | 0.79   | 0.66    |
| Hydraulic system.....                | 90.0   | 23.8   | 19.8    |
| Hydraulic tank.....                  | 60.0   | 15.9   | 13.2    |

(Reference oil level)

## WEIGHTS AND GROUND PRESSURE

### EX60-5:

Equipped with 3.72 m (12'2") boom, 1.62 m (5'4") arm, and 0.28m<sup>3</sup>(0.37 yd<sup>3</sup>; PCSA heaped) bucket.

| Shoe type       | Shoe width   | Operating weight     | Ground pressure                                |
|-----------------|--------------|----------------------|--|
| Triple grouser  | 450 mm (18") | 6 300 kg (13 900 lb) | 29.4 kPa (0.30 kgf/cm <sup>2</sup> , 4.27 psi) |
|                 |              | 6 390 kg (14 100 lb) | 27.5 kPa (0.28 kgf/cm <sup>2</sup> , 3.98 psi) |
|                 | 600 mm (24") | 6 460 kg (14 200 lb) | 22.6 kPa (0.23 kgf/cm <sup>2</sup> , 3.27 psi) |
|                 |              | 6 560 kg (14 500 lb) | 21.6 kPa (0.22 kgf/cm <sup>2</sup> , 3.13 psi) |
| Rubber type     | 450 mm (18") | 6 300 kg (13 900 lb) | 29.4 kPa (0.30 kgf/cm <sup>2</sup> , 4.27 psi) |
|                 |              | 6 390 kg (14 100 lb) | 27.5 kPa (0.28 kgf/cm <sup>2</sup> , 3.98 psi) |
| Triangular type | 500 mm (20") | 6 480 kg (14 300 lb) | 26.5 kPa (0.27 kgf/cm <sup>2</sup> , 3.84 psi) |
|                 |              | 6 580 kg (14 500 lb) | 25.5 kPa (0.26 kgf/cm <sup>2</sup> , 3.70 psi) |
|                 | 700 mm (28") | 6 600 kg (14 600 lb) | 19.6 kPa (0.20 kgf/cm <sup>2</sup> , 2.84 psi) |
|                 |              | 6 710 kg (14 800 lb) | 18.6 kPa (0.19 kgf/cm <sup>2</sup> , 2.70 psi) |
| Flat type       | 450 mm (18") | 6 460 kg (14 200 lb) | 29.4 kPa (0.30 kgf/cm <sup>2</sup> , 4.55 psi) |
|                 |              | 6 560 kg (14 400 lb) | 28.4 kPa (0.29 kgf/cm <sup>2</sup> , 4.12 psi) |

Figures in   are data on the EX60LC-5

Weights of the basic machines (including 700 kg (1 540 lb) counterweight and triple grouser shoes, excluding front-end attachment) are:

EX60-5.....5 050 kg (11 100 lb) with 450 mm (18") shoes  
EX60LC-5.....5 140 kg (11 300 lb) with 450 mm (18") shoes

### EX60-5 with Off-set front:

Equipped with 1.62 m (5'4") arm, and 0.28 m<sup>3</sup>(0.37 yd<sup>3</sup>; PCSA heaped) bucket.

| Shoe type               | Shoe width   | Operating weight     | Ground pressure                                |
|-------------------------|--------------|----------------------|--|
| Triple grouser          | 450 mm (18") | 6 900 kg (15 200 lb) | 32.4 kPa (0.33 kgf/cm <sup>2</sup> , 4.69 psi) |
|                         |              | 6 990 kg (15 400 lb) | 30.4 kPa (0.31 kgf/cm <sup>2</sup> , 4.41 psi) |
|                         | 600 mm (24") | 7 060 kg (15 600 lb) | 24.5 kPa (0.25 kgf/cm <sup>2</sup> , 3.41 psi) |
|                         |              | 7 160 kg (15 800 lb) | 23.5 kPa (0.24 kgf/cm <sup>2</sup> , 4.41 psi) |
| Rubber with dozer blade | 450 mm (18") | 7 430 kg (16 400 lb) | 34.3 kPa (0.35 kgf/cm <sup>2</sup> , 4.98 psi) |
|                         |              | 7 520 kg (16 600 lb) | 32.4 kPa (0.33 kgf/cm <sup>2</sup> , 4.69 psi) |
| Triangular type         | 500 mm (20") | 7 080 kg (15 600 lb) | 29.4 kPa (0.30 kgf/cm <sup>2</sup> , 4.27 psi) |
|                         |              | 7 180 kg (15 800 lb) | 28.4 kPa (0.29 kgf/cm <sup>2</sup> , 3.84 psi) |
|                         | 700 mm (28") | 7 200 kg (15 900 lb) | 21.6 kPa (0.22 kgf/cm <sup>2</sup> , 3.13 psi) |
|                         |              | 7 310 kg (16 100 lb) | 20.6 kPa (0.21 kgf/cm <sup>2</sup> , 2.84 psi) |
| Flat type               | 450 mm (18") | 7 060 kg (15 600 lb) | 32.4 kPa (0.33 kgf/cm <sup>2</sup> , 4.69 psi) |
|                         |              | 7 160 kg (15 800 lb) | 31.4 kPa (0.32 kgf/cm <sup>2</sup> , 4.55 psi) |

Figures in   are data on the EX60LC-5

Weights of the basic machines (including 800 kg (1 760 lb) counterweight and triple grouser shoes, excluding front-end attachment) are:

EX60-5.....5 150 kg (11 400 lb) with 450 mm (18") shoes  
EX60LC-5.....5 240 kg (11 600 lb) with 450 mm (18") shoes

# TECHNICAL DATA



## BACKHOE ATTACHMENTS

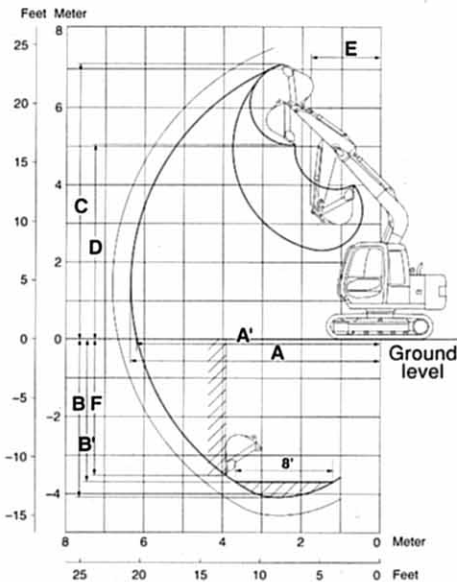
Boom and arms are of all-welded, low-stress, full-box-section design. 3.72 m (12'2") boom, 1.62 m (5'4") and 2.12 m (6'11") arms are available.

Bucket is of all-welded, high-strength steel structure. Side clearance adjust mechanism provided on the bucket joint bracket.

Buckets for the EX60-3, EX60-2 and EX60 are not attachable to the EX60-5, because arm width and pin diameter differ.



## WORKING RANGES



|                                  | EX60-s/EX60LC-s               |                   | EX60-s/EX60LC-s with Rubber crawler |                   |
|----------------------------------|-------------------------------|-------------------|-------------------------------------|-------------------|
|                                  | 1.62 m (5'4")                 | 2.12 m (6'11")    | 1.62 m (5'4")                       | 2.12 m (6'11")    |
| Arm length                       | 1.62 m (5'4")                 | 2.12 m (6'11")    | 1.62 m (5'4")                       | 2.12 m (6'11")    |
| A Max.digging reach              | 6 310 mm (20'8")              | 6 800 mm (22'4")  | 6 310 mm (20'8")                    | 6 800 mm (22'4")  |
| A' Max.digging reach (on ground) | 6 160 mm (20'3")              | 6 660 mm (21'10") | 6 160 mm (20'3")                    | 6 660 mm (21'10") |
| B Max.digging depth              | 4 150 mm (13'7")              | 4 660 mm (15'3")  | 4 130 mm (13'7")                    | 4 640 mm (15'3")  |
| B' Max.digging depth (8' level)  | 3 800 mm (12'6")              | 4 370 mm (14'4")  | 3 780 mm (12'5")                    | 4 350 mm (14'3")  |
| C Max.cutting height             | 7 150 mm (23'5")              | 7 550 mm (24'9")  | 7 170 mm (23'6")                    | 7 570 mm (24'10") |
| D Max.dumping height             | 5 070 mm (16'8")              | 5 470 mm (17'11") | 5 090 mm (16'8")                    | 5 490 mm (18'0")  |
| E Min.swing radius               | 1 700 mm (5'7")               | 2 060 mm (6'9")   | 1 700 mm (5'7")                     | 2 060 mm (6'9")   |
| F Max.vertical wall              | 3 520 mm (11'7")              | 4 060 mm (13'4")  | 3 480 mm (11'5")                    | 4 040 mm (13'3")  |
| Bucket digging force             | 55 kN (5 600 kgf, 12 400 lbf) |                   | 55 kN (5 600 kgf, 12 400 lbf)       |                   |
|                                  | SAE, PCSA                     |                   | 47 kN (4 800 kgf, 10 600 lbf)       |                   |
| Arm crowd force                  | 38 kN (3 900 kgf, 8 600 lbf)  |                   | 38 kN (3 900 kgf, 8 600 lbf)        |                   |
|                                  | ISO                           |                   | 32 kN (3 300 kgf, 7 280 lbf)        |                   |
|                                  | SAE, PCSA                     |                   | 31 kN (3 200 kgf, 7 100 lbf)        |                   |
|                                  | 36 kN (3 700 kgf, 8 200 lbf)  |                   | 36 kN (3 900 kgf, 8 600 lbf)        |                   |
|                                  | 31 kN (3 200 kgf, 7 100 lbf)  |                   | 31 kN (3 200 kgf, 7 100 lbf)        |                   |

## Buckets

| Capacity  |                     | Width                |                   | No. of teeth | Weight          | Recommendation    |                    |                                     |                    |   |
|---|---------------------|----------------------|-------------------|--------------|-----------------|-------------------|--------------------|-------------------------------------|--------------------|---|
| PCSA heaped   | CECE heaped         | Without side cutters | With side cutters |              |                 | EX60-s/EX60LC-s   |                    | EX60-s/EX60LC-s with Rubber crawler |                    |   |
|   |                     |                      |                   |              |                 | 1.62 m (5'4") arm | 2.12 m (6'11") arm | 1.62 m (5'4") arm                   | 2.12 m (6'11") arm |   |
| 0.11 m <sup>3</sup> (0.14 yd <sup>3</sup> )                             | 0.10 m <sup>3</sup> | 360 mm (14")         | 450 mm (18")      | 3            | 140 kg (310 lb) | ○/○               | ○/○                | ○/○                                 | ○/○                |   |
| 0.18 m <sup>3</sup> (0.24 yd <sup>3</sup> )                             | 0.15 m <sup>3</sup> | 450 mm (18")         | 550 mm (22")      | 3            | 168 kg (410 lb) | ○/○               | ○/○                | ○/○                                 | ○/○                |   |
| 0.20 m <sup>3</sup> (0.26 yd <sup>3</sup> )                             | 0.17 m <sup>3</sup> | 490 mm (19")         | 590 mm (23")      | 3            | 175 kg (390 lb) | ○/○               | ○/○                | ○/○                                 | ○/○                |   |
| 0.24 m <sup>3</sup> (0.31 yd <sup>3</sup> )                             | 0.20 m <sup>3</sup> | 560 mm (22")         | 650 mm (26")      | 3            | 180 kg (400 lb) | ○/○               | ○/○                | ○/○                                 | ○/○                |   |
| 0.28 m <sup>3</sup> (0.37 yd <sup>3</sup> )                             | 0.25 m <sup>3</sup> | 660 mm (26")         | 750 mm (30")      | 4            | 200 kg (440 lb) | ○/○               | ○*/○               | ○/○                                 | ○*/○               |   |
| 0.34 m <sup>3</sup> (0.44 yd <sup>3</sup> )                             | 0.30 m <sup>3</sup> | 770 mm (30")         | 860 mm (34")      | 5            | 220 kg (490 lb) | ○/○               | —                  | ○/○                                 | —                  |   |
| *1 0.24 m <sup>3</sup> (0.31 yd <sup>3</sup> )                          | 0.20 m <sup>3</sup> | 560 mm (22")         | 650 mm (26")      | 3            | 185 kg (410 lb) | ○/○               | ○/○                | ○/○                                 | ○/○                |   |
| *1 0.28 m <sup>3</sup> (0.37 yd <sup>3</sup> )                          | 0.25 m <sup>3</sup> | 660 mm (26")         | 750 mm (30")      | 4            | 240 kg (530 lb) | ○/○               | ○*/○               | ○/○                                 | ○*/○               |   |
| *1 0.34 m <sup>3</sup> (0.44 yd <sup>3</sup> )                          | 0.30 m <sup>3</sup> | 770 mm (30")         | 860 mm (34")      | 5            | 230 kg (510 lb) | ○/○               | —                  | —                                   | —                  |   |
| V-shaped bucket 0.20m <sup>3</sup> (0.26 yd <sup>3</sup> ); CECE heaped |                     |                      |                   |              | 2               | 190 kg (420 lb)   | ○                  | ○                                   | ○                  | ○ |
| Slope-finishing blade; Width 750 mm (30"), Length 1 500 mm (59")        |                     |                      |                   |              |                 | 250 kg (550 lb)   | ◇                  | ◇                                   | ◇                  | ◇ |

\*1 Reinforced bucket

\*2 With 600 mm (24")/700 mm (28") shoes only

○ Suitable for materials with density of 2 000 kg/m<sup>3</sup> (3 370 lb/yd<sup>3</sup>) or less

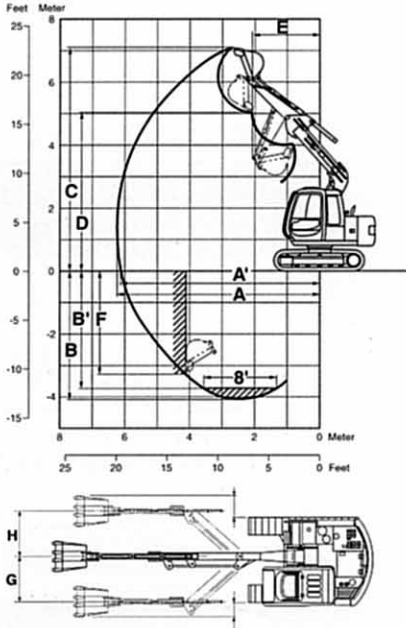
○ Suitable for materials with density of 1 600 kg/m<sup>3</sup> (2 700 lb/yd<sup>3</sup>) or less

◇ Slope finishing service

— Not recommended



## WORKING RANGES



| Arm length                       | EX60-s/EX60LC-s with Off-set front |                                    |
|----------------------------------|------------------------------------|------------------------------------|
|                                  | 1.62 m (5'4")                      |                                    |
| Off-set distance                 | 0 m                                | Max.                               |
| A Max.digging reach              | 6 310 mm (20'8")                   | 5 860 mm (19'3")                   |
| A' Max.digging reach (on ground) | 6 160 mm (20'3")                   | 5 690 mm (18'8")                   |
| B Max.digging depth              | 4 150 mm (13'7")                   | 3 690 mm (12'1")                   |
| B' Max.digging depth (8'level)   | 3 770 mm (12'4")                   | 3 190 mm (10'6")                   |
| C Max.cutting height             | 7 120 mm (23'4")                   | 6 760 mm (22'2")                   |
| D Max.dumping height             | 5 070 mm (16'8")                   | 4 710 mm (15'5")                   |
| E Min.swing radius               | 2 080 mm (6'10")                   | *2 140 mm / 2 220 mm (7'0")/(7'3") |
| F Max.vertical wall              | 3 330 mm (10'11")                  | 2 900 mm (9'6")                    |
| G Left side off-set distance     | —                                  | 1 235 mm (4'1")                    |
| H Right side off-set distance    | —                                  | 1 085 mm (3'7")                    |
| Bucket digging force             | ISO                                | 55kN (5 600 kgf,12 400 lbf)        |
|                                  | SAE, PCSA                          | 47kN (4 800 kgf,10 600 lbf)        |
| Arm crowd force                  | ISO                                | 38kN (3 900 kgf,8 600 lbf)         |
|                                  | SAE, PCSA                          | 36kN (3 700 kgf,8 200 lbf)         |

\* Left/Right side off-set.  
800 kg(1 760 lb) counterweight is required.

### Buckets

| Capacity                                       |                     | Width                |                   | No.of teeth | Weight          | Recommendation                     |
|--|---------------------|----------------------|-------------------|-------------|-----------------|------------------------------------|
| PCSA heaped                                    | CECE heaped         | Without side cutters | With side cutters |             |                 | EX60-s/EX60LC-s with Off-set front |
|  |                     |                      |                   |             |                 | 1.62 m (5'4") arm                  |
| 0.11 m <sup>3</sup> (0.14 yd <sup>3</sup> )    | 0.10 m <sup>3</sup> | 360 mm (14")         | 450 mm (18")      | 3           | 140 kg (310 lb) | ○/○                                |
| 0.18 m <sup>3</sup> (0.24 yd <sup>3</sup> )    | 0.15 m <sup>3</sup> | 450 mm (18")         | 550 mm (22")      | 3           | 168 kg (410 lb) | ○/○                                |
| 0.20 m <sup>3</sup> (0.26 yd <sup>3</sup> )    | 0.17 m <sup>3</sup> | 490 mm (19")         | 590 mm (23")      | 3           | 175 kg (390 lb) | ○/○                                |
| 0.24 m <sup>3</sup> (0.31 yd <sup>3</sup> )    | 0.20 m <sup>3</sup> | 560 mm (22")         | 650 mm (26")      | 3           | 180 kg (400 lb) | ○/○                                |
| 0.28 m <sup>3</sup> (0.37 yd <sup>3</sup> )    | 0.25 m <sup>3</sup> | 660 mm (26")         | 750 mm (30")      | 4           | 200 kg (440 lb) | ○/○                                |
| 0.34 m <sup>3</sup> (0.44 yd <sup>3</sup> )    | 0.30 m <sup>3</sup> | 770 mm (30")         | 860 mm (34")      | 5           | 220 kg (490 lb) | —                                  |
| *1 0.24 m <sup>3</sup> (0.31 yd <sup>3</sup> ) | 0.20 m <sup>3</sup> | 560 mm (22")         | 650 mm (26")      | 3           | 185 kg (410 lb) | ○/○                                |
| *1 0.28 m <sup>3</sup> (0.37 yd <sup>3</sup> ) | 0.25 m <sup>3</sup> | 660 mm (26")         | 750 mm (30")      | 4           | 240 kg (530 lb) | ○*/○                               |

\*1 Reinforced bucket

\*2 With 600 mm (24")/700 mm (28")shoes only

○ Suitable for materials with density of 2 000 kg/m<sup>3</sup> (3 370 lb/yd<sup>3</sup>) or less  
○ Suitable for materials with density of 1 600 kg/m<sup>3</sup> (2 700 lb/yd<sup>3</sup>) or less

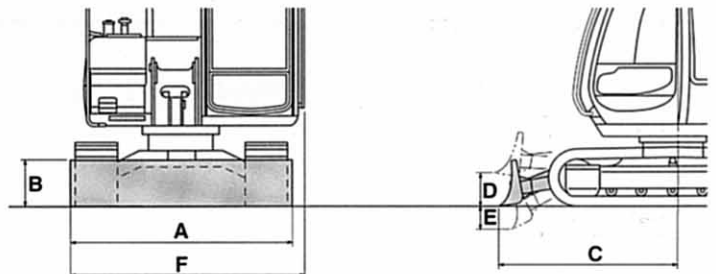
## EX60-5/EX60LC-5 with Dozer blade (Option)

Equipped with 3.72 m (12'2")boom,1.62 m (5'4")arm,450mm (18")triple grouser shoe and 0.28m<sup>3</sup> (0.37 yd<sup>3</sup>;**PCSA heaped**) for EX60-s,0.34m<sup>3</sup> (0.44 yd<sup>3</sup>;**PCSA heaped**) for EX60LC-5 bucket.

Operating weight.....STD: 6 830 kg (15 100 lb)  
LC: 6 920 kg (15 300 lb)

Ground pressure.....STD: 31.4 kPa (0.32 kgf/cm<sup>2</sup>,4.55 psi)  
LC: 30.4 kPa (0.31 kgf/cm<sup>2</sup>,4.41 psi)

A Overall width of blade ..... 2 300 mm (7'7")  
B Overall height of blade ..... 420 mm (1'5")  
C Blade distance ..... 2 000 mm (6'7")  
D Max.rasing height above ground..... 425 mm (16.7")  
E Max.lowering depth from ground..... 290 mm (11.4")  
F Overall width..... 2 390 mm (7'10")



# TECHNICAL DATA



## STANDARD EQUIPMENT

Standard equipment may vary by country, so please consult your Hitachi dealer for details.

### ENGINE

- E mode control
- 24 A alternator (for Europe)
- 40 A alternator (for North Europe)
- Dry-type air filter with evacuator valve
- Cartridge-type engine oil filter
- Cartridge-type fuel filter
- Radiator and oil cooler with dust protective net
- Radiator reserve tank
- Fan guard
- Isolation-mounted engine
- Auto-idling system

### HYDRAULIC SYSTEM

- ETS
- E-P control system (power mode selector)
- OHS
- Quick warm-up system for pilot circuit
- Shockless valve in pilot circuit
- Swing cushion valve in swing circuit
- Travel cushion valve in travel

- Accumulator in pilot circuit
- Control valve with main relief valve
- Extra port for control valve
- Suction filter
- Full-flow filter
- Pilot filter

### CAB

All-weather sound-suppressed steel cab. Reinforced tinted (bronze color) glass windows. 6 fluid-filled elastic mounts. Openable front window-upper, lower and left side windows. Intermittent windshield retractable wiper. Front windshield washer. Adjustable suspension seat with armrests. Footrest. Electric double horn. Auto-idle switch. Seat belt. Floor mat. Heater. Pilot control shut-off lever.

### MONITOR SYSTEM

- Meters:
  - Hourmeter. Engine coolant temperature gauge.
  - Fuel meter.
- Warning lamps:
  - Alternator charge. Engine oil pressure. Engine overheat.
  - Air cleaner clog.
- Pilot lamps:
  - Engine preheat.
- Alarm buzzers:
  - Engine oil pressure.
  - Engine overheat.

### LIGHTS

- 2 working lights

### UPPERSTRUCTURE

- Undercover
- 700 kg (1 540 lb) counterweight
- Fuel level float
- Hydraulic oil level gauge
- Tool box
- Swing parking brake

### UNDERCARRIAGE

- Travel parking brake
- Travel motor covers
- Hydraulic track adjuster
- Bolt-on sprocket
- Upper rollers and lower rollers
- Reinforced track links with pin seals
- 450 mm (18") triple grouser shoes

### FRONT ATTACHMENTS

- Bucket clearance adjust mechanism
- Monolithically cast bucket link A
- Dirt seals on all bucket pins
- 1.62 m (5'4") arm
- 0.28m<sup>3</sup> (0.37 yd<sup>3</sup>: PCSA heaped) bucket

### MISCELLANEOUS

- Standard tool kit
- Lockable machine covers
- Fuel filling cap
- Skid-resistant tapes and handrails.



## OPTIONAL EQUIPMENT

Optional equipment may vary by country, so please consult your Hitachi dealer for details.

- AM-FM radio
- Hose rupture valves
- Electric fuel refilling pump
- Swing motion alarm device with lamp
- Travel motion alarm device
- Additional pump (For standard pump only) (Not for optional blade)
- Piping kit for extra valve port (Not attachable together with the Off-set front)
- PTO/additional valve with piping kit (Not attachable together with the Off-set front)
- Pre-cleaner
- Front glass lower guard
- Slope-finishing blade for slope finishing jobs...scraping up or down, compacting, leveling, grading etc.
- Dozer blade
- V-shaped bucket 0.20 m<sup>3</sup> (0.26 yd<sup>3</sup>: CECE heaped)

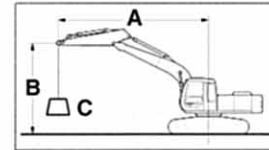
Note: The above optional equipment may not be fitted all together according to its combination. When ordering, contact a near Hitachi dealer.

# LIFTING CAPACITIES



The lifting capacity is defined by the overload alarm device set pressure.  
When hydraulic pressure reaches the set pressure, the alarm buzzer sounds.

With retracted bucket cylinder  
Overload alarm device switch: ON



A: Load radius  
B: Load point height  
C: Lifting capacity

## METRIC MEASURE

### EX60-5



Rating over-side or 360 degrees

Unit: 1000 kg

| Conditions   | Load point height  | Load radius |      |      |      |      | At max. reach |      |
|--|--|-------------|------|------|------|------|---------------|------|
|  |  | 1 m         | 2 m  | 3 m  | 4 m  | 5 m  |               | @ m  |
| Boom 3.72 m<br>Arm 1.62 m<br>Without bucket<br>Grouser shoes<br>450 mm<br>&<br>Rubber shoes<br>450 mm<br>Setting pressure<br>13.7 MPa<br>(140 kg/cm <sup>2</sup> ) | 5 m  |             |      | 0.70 |      |      | 0.75          | 3.78 |
|  | 4 m  |             |      | 0.75 | 0.72 |      | 0.74          | 4.55 |
|  | 3 m  |             | 1.32 | 0.93 | 0.79 | 0.74 | 0.74          | 5.00 |
|  | 2 m  |             |      | 1.18 | 0.89 | 0.77 | 0.76          | 5.22 |
|  | 1 m  |             |      | 1.38 | 1.00 | 0.82 | 0.79          | 5.24 |
|  | 0 (Ground)   |             |      | 1.46 | 1.06 | 0.84 | 0.83          | 5.07 |
|  | -1 m   | 2.83        | 2.07 | 1.44 | 1.05 |      | 0.86          | 4.68 |
|  | -2 m   | 2.82        | 1.81 | 1.28 | 0.90 |      | 0.90          | 4.00 |
|  | -3 m   |             | 1.27 |      |      |      |               |      |
|  | Boom 3.72 m<br>Arm 2.12 m<br>Without bucket<br>Grouser shoes<br>450 mm<br>&<br>Rubber shoes<br>450 mm<br>Setting pressure<br>13.7 MPa<br>(140 kg/cm <sup>2</sup> ) | 5 m         |      |      |      | 0.59 |               | 0.63 |
| 4 m  |  |             |      | 0.59 | 0.59 | 0.62 | 0.63          | 5.10 |
| 3 m  |  |             | 0.96 | 0.76 | 0.67 | 0.63 | 0.64          | 5.51 |
| 2 m  |  |             |      | 1.02 | 0.79 | 0.69 | 0.66          | 5.71 |
| 1 m  |  |             |      | 1.26 | 0.92 | 0.75 | 0.68          | 5.73 |
| 0 (Ground)   |  |             | 2.24 | 1.40 | 1.01 | 0.80 | 0.71          | 5.57 |
| -1 m   |  | 2.28        | 2.17 | 1.43 | 1.04 | 0.80 | 0.75          | 5.22 |
| -2 m   |  | 3.48        | 1.98 | 1.35 | 0.98 |      | 0.79          | 4.63 |
| -3 m   |  | 2.66        | 1.59 | 1.09 |      |      | 0.82          | 3.68 |

### EX60-5 Off-set front

| Conditions  | Load point height | Load radius |      |      |      |      | At max. reach |      |
|---|-------------------|-------------|------|------|------|------|---------------|------|
|   |                   | 1 m         | 2 m  | 3 m  | 4 m  | 5 m  |               | @ m  |
| Boom 3.72 m<br>Arm 1.62 m<br>Without bucket<br>Grouser shoes<br>450 mm<br>Setting pressure<br>13.7 MPa<br>(140 kg/cm <sup>2</sup> ) | 5 m               |             |      | 0.64 |      |      | 0.60          | 3.79 |
|   | 4 m               |             |      | 0.67 | 0.57 |      | 0.55          | 4.55 |
|   | 3 m               |             |      | 0.76 | 0.60 | 0.52 | 0.53          | 5.00 |
|   | 2 m               |             |      | 0.89 | 0.65 | 0.54 | 0.53          | 5.22 |
|   | 1 m               |             |      | 0.98 | 0.70 | 0.56 | 0.54          | 5.24 |
|   | 0 (Ground)        |             |      | 1.01 | 0.73 | 0.56 | 0.55          | 5.07 |
|   | -1 m              |             | 1.35 | 0.96 | 0.70 |      | 0.57          | 4.68 |
|   | -2 m              | 1.52        | 1.12 | 0.82 | 0.57 |      | 0.57          | 4.01 |
|   | -3 m              |             | 0.68 |      |      |      |               |      |

# HITACHI

These specifications are subject to change without notice

©Hitachi Construction Machinery Co.,Ltd.

Head office:Nippon Bldg.,6-2,2-chome,Ohtemachi,  
Chiyoda-ku,Tokyo 100,Japan

Telephone :Tokyo(03)3245-6390

Facsimile :Tokyo(03)3246-2609

KS-E255

Printed in Japan 97.12(SK/SP,GT<sub>3</sub>)