

SuperEX V

EX150LC

- Rated Engine HP : 74 kW(100 PS)
- Operating Weight : 15 000 kg(33 080 lb)
- Backhoe Bucket

PCSA heaped : 0.52-0.82 m³(0.68-1.07 yd³)
CECE heaped : 0.45-0.7 m³



Impressive Versatility From Forest Road Building to Sabo Work to General Civil-Engineering Work

Human-Touch Control Features Direct, Quick Response to the Load. That's the Secret of Operating Ease and Productivity.

- The advanced hydraulic system
- New cab with enhanced operator comfort and convenience
- Rugged undercarriage components for increased durability and reliability
- Emissions control engine

HITACHI

SPECIFICATIONS

		EX150LC-5
Operating weight	kg(lb)	15 000(33 080)
Bucket capacity		
ISO Heaped	m ³ (yd ³)	0.63(0.82)
Ground pressure	kPa(kgf/cm ² ,psi)	52(0.53 7.54)
Swing speed	min ⁻¹ (rpm)	13.2(13.2)
Travel speeds High/Low	km/h(mph)	5.3/3.1(3.3/1.9)
Max.digging force		
Bucket digging force	ISO kN(kgf,lbf)	102(10 400 22 930)
	SAE,PCSA kN(kgf,lbf)	90(9 200 20 290)
Arm crowd force	ISO kN(kgf,lbf)	76(7 800 17 200)
	SAE,PCSA kN(kgf,lbf)	74(7 500 16 540)
Engine model		ISUZU A-4BG1T
Rated horsepower		DIN. 74 kW(100 PS)/1 800 min ⁻¹ (rpm) SAE. 74 kW(99 HP)/1 800 min ⁻¹ (rpm)
Hydraulic pump type		2-variable displacement axial piston, 1 gear pump
Main relief valve settings	MPa(kgf/cm ² ,psi)	34.3(350 4 980)
Fuel tank capacity	L(US gal, Imp gal)	250(66.1 55.0)

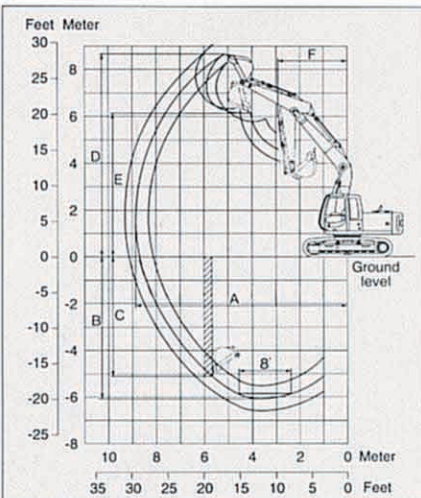
WORKING RANGES

Unit:mm (ft in)

	5.10m (16'9") boom		
	2.01m (6'7") arm	2.58m (8'6") arm	3.10m (10'2") arm
A : Max.digging reach	8 360 (27'5")	8 900 (29'2")	9 360 (30'9")
* B : Max.digging depth	5 480 (18'0")	6 050 (19'10")	6 550 (21'6")
* C : Max.vertical cutting	4 330 (14'2")	5 220 (17'2")	5 750 (18'10")
* D : Max.cutting height	8 480 (27'10")	8 820 (28'11")	9 060 (29'9")
* E : Max.dumping height	5 810 (19'1")	6 100 (20'0")	6 340 (20'10")
F : Min.front-end swing radius	3 250 (10'8")	2 910 (9'7")	2 920 (9'7")

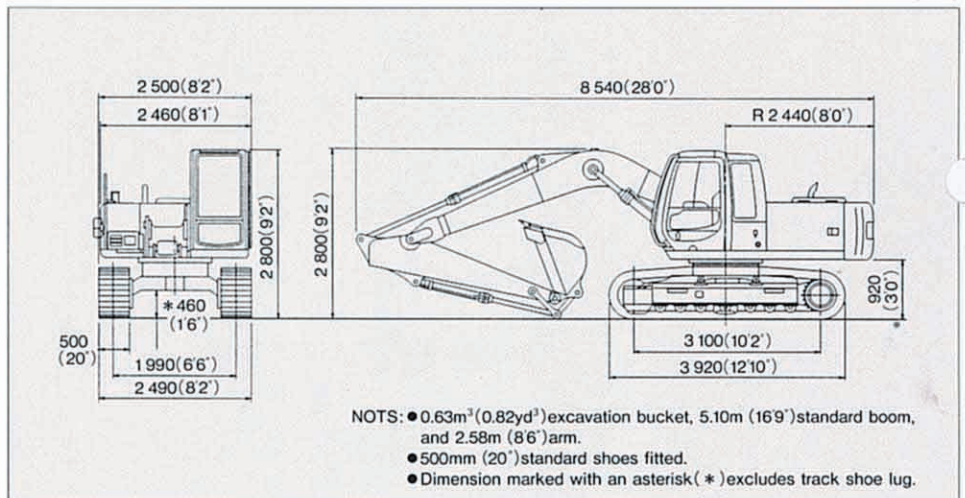
NOTE: ● Dimension marked with an asterisk (*) excludes track shoe lug.

WORKING RANGES



DIMENSIONS

Unit:mm (ft in)



These specifications are subject to change without notice.

Illustrations and photos show the standard models, and may or may not include optional equipment, accessories, and all standard equipment.

Hitachi Construction Machinery Co.,LTD.

 Head office: Nippon Bldg., 6-2, 2-chome, Ohtemachi,
Chiyoda-ku, Tokyo 100, Japan

Telephone : Tokyo (03) 3245-6390

Facsimile : Tokyo (03) 3246-2609