

HITACHI

ELLE system

SuperEX EX100

Rated engine HP: 57 kW (78 PS)

Operating weight

EX100-2: 10 700 kg (23 600 lb)

EX100M-2: 12 200 kg (26 900 lb)

Bucket capacity

PCSA heaped: 0.19—0.59 m³ (0.25—0.77 cu yd)

CECE heaped: 0.17—0.50 m³



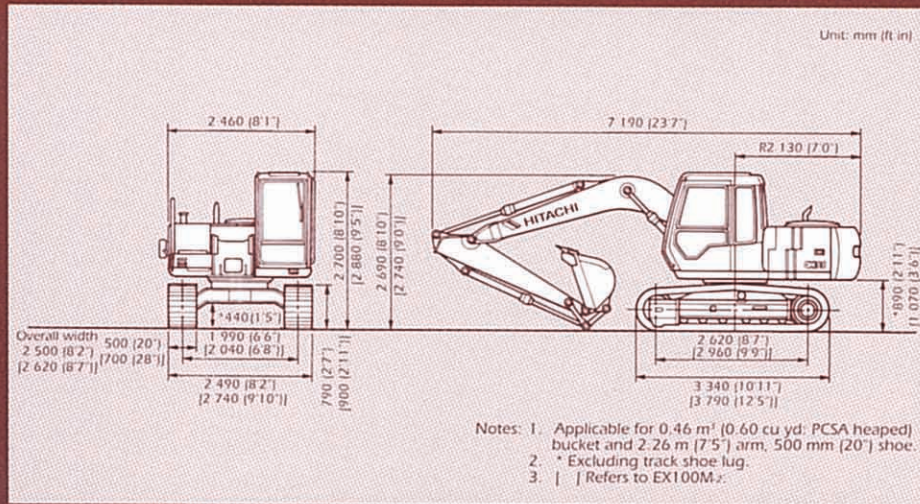
HITACHI — A NEW ERA
IN INNOVATIVE
TECHNOLOGY

- ELLE: Electronic Load-Sensing Excavation System. Hitachi's advanced technology ensures maximum job efficiency.
- Exceptional controllability: Operating lever feeling is always the same regardless of the intensity of the operation.
- Operator comfort: Provided by adjustable Sliding Cockpit; ergonomic Lever Grips; easy-to-use Monitor & Switches and Low Noise & Vibration Cab.

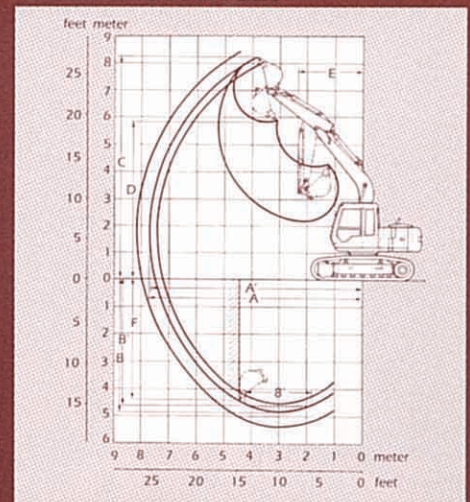


Amazing Potential... Specifications Tell It All.

DIMENSIONS



WORKING RANGES



SPECIFICATIONS

Model		EX100-2	EX100M-2	
kg (lb)		10 700 (23 600)	12 200 (26 900)	
Making/Model		Isuzu 4BD1		
Engine	DIN rated kW (PS) @ min ⁻¹	57 (78) @ 2 300		
	SAE rated kW (HP) @ min ⁻¹	54 (72) @ 2 300		
	liter (US gal, imp gal)	250.0 (66.0, 55.0)		
Hydraulics	Main pump	1 x variable piston		
	MPa (kgf/cm ² , psi)	34.3 (350, 4 980)		
	Max. l/min (US gpm, imp gpm)	1 x 184 (48.5, 40.4)		
	min ⁻¹ (rpm)	11.0 (11.0)		
Undercarriage	(A) km/h (mph)	5.5 - 3.4 - 2.5 (3.4 - 2.1 - 1.6)	4.4 - 2.7 - 2.0 (2.7 - 1.7 - 1.2)	
	(B) kN (kgf, lbf)	84.3 (8 600, 18 960)	114.7 (11 700, 25 790)	
	(C) deg. (%)	35 (70)		
	(D) mm (in)	G500 (20")	G700 (28")	
	(E) kPa (kgf/cm ² , psi)	36.3 (0.37, 5.26)	26.5 (0.27, 3.84)	
Arm length m (ft in)		1.96 (6'5")	2.26 (7'5")	2.81 (9'3")
	(F) kN (kgf, lbf)	57.9 (5 900, 13 000)	53.0 (5 400, 11 900)	47.1 (4 800, 10 600)
	(G) kN (kgf, lbf)	78.5 (8 000, 17 600)		

STANDARD EQUIPMENT

- Tool kit ● Suspension seat ● Heater ● Auto-tuning radio with digital clock
- Intermittent windshield wiper with window washer ● Cigarette lighter ● Ashtray
- 3 working lights and 1 cab light ● Electric double horn ● Rearview mirror
- Rear tray ● Parcel pocket

OPTIONAL EQUIPMENT

- Air conditioner ● Multi selection lever with rotary valve ● Hose rupture valves
- Electric refilling pump ● Swing motion alarm device with lamps ● Travel motion alarm device ● Additional pump ● Piping kit for extra port ● PTO valve & additional valve with piping kit

OTHER ATTACHMENTS

- Off-set front
- 500 mm (20") rubber crawler

WORKING RANGES

Model		EX100-2	EX100M-2	
Boom		4.27 m (14'0")		
Arm		1.96 m (6'5")	2.26 m (7'5")	2.81 m (9'3")
A.		7 430 (24'5")	7 700 (25'3")	8 180 (26'10")
		7 430 (24'5")	7 700 (25'3")	8 180 (26'10")
A'		7 290 (23'11")	7 560 (24'10")	8 050 (26'5")
		7 250 (23'9")	7 520 (24'8")	8 010 (26'3")
B.		4 780 (15'8")	5 080 (16'8")	5 630 (18'6")
		4 600 (15'1")	4 900 (16'1")	5 450 (17'11")
B'		4 520 (14'10")	4 840 (15'11")	5 420 (17'9")
		4 340 (14'3")	4 660 (15'3")	5 240 (17'2")
C.		7 850 (25'9")	8 030 (26'4")	8 250 (27'1")
		8 030 (26'4")	8 210 (26'11")	8 430 (27'8")
D.		5 460 (17'11")	5 630 (18'6")	5 870 (19'3")
		5 640 (18'6")	5 810 (19'1")	6 050 (19'10")
E.		2 360 (7'9")	2 390 (7'10")	2 630 (8'8")
		2 360 (7'9")	2 390 (7'10")	2 630 (8'8")
F.		4 320 (14'2")	4 620 (15'2")	5 100 (16'9")
		4 140 (13'7")	4 440 (14'7")	4 920 (16'2")

Notes: Excluding track shoe lug.
 □ Refers to EX100M-2.

BACKHOE BUCKETS

Capacity	Recommendation		
	1.96 m (6'5") arm	2.26 m (7'5") arm	2.81 m (9'3") arm
PCSA heaped			
0.19 m ³ (0.25 cu yd)	○	○	○
0.30 m ³ (0.39 cu yd)	○	○	○
0.40 m ³ (0.52 cu yd)	○	○	○
0.46 m ³ (0.60 cu yd)	○	○	*1 ○ (○)
0.55 m ³ (0.72 cu yd)	○	○	— (○)
0.59 m ³ (0.77 cu yd)	○	○	—
*2 0.46 m ³ (0.60 cu yd)	○	○	*1 ○ (○)
One-point ripper	● (—)	● (—)	—
Clamshell bucket: 0.30 m ³ (0.39 cu yd; CECE heaped), Width 560 mm (22")	○	○	—
Slope-finishing blade: Width 1 000 mm (39"), Length 1 600 mm (63")	◇	◇	◇

*1 With 700 mm (28") shoe only () Refers to EX100M-2.

*2 Reinforced bucket

- Suitable for materials with density of 2 000 kg/m³ (3 370 lb/cu yd) or less
- Suitable for materials with density of 1 600 kg/m³ (2 700 lb/cu yd) or less
- Suitable for materials with density of 1 100 kg/m³ (1 850 lb/cu yd) or less
- Heavy-duty service ◇ Slope finishing service — Not recommended

These specifications are subject to change without notice. Illustrations may or may not include optional equipment and accessories, and all standard equipment.

Hitachi Construction Machinery Co., Ltd.

Head Office: Nippon Bldg., 6-2, 2-chome, Ohtemachi, Chiyoda-ku, Tokyo 100, Japan

Telephone: Tokyo (03) 3245-6377

Facsimile: Tokyo (03) 3246-2609

Telex: J 32539 HITACONJ

Cable Address: TOKHITACHIKENKI