

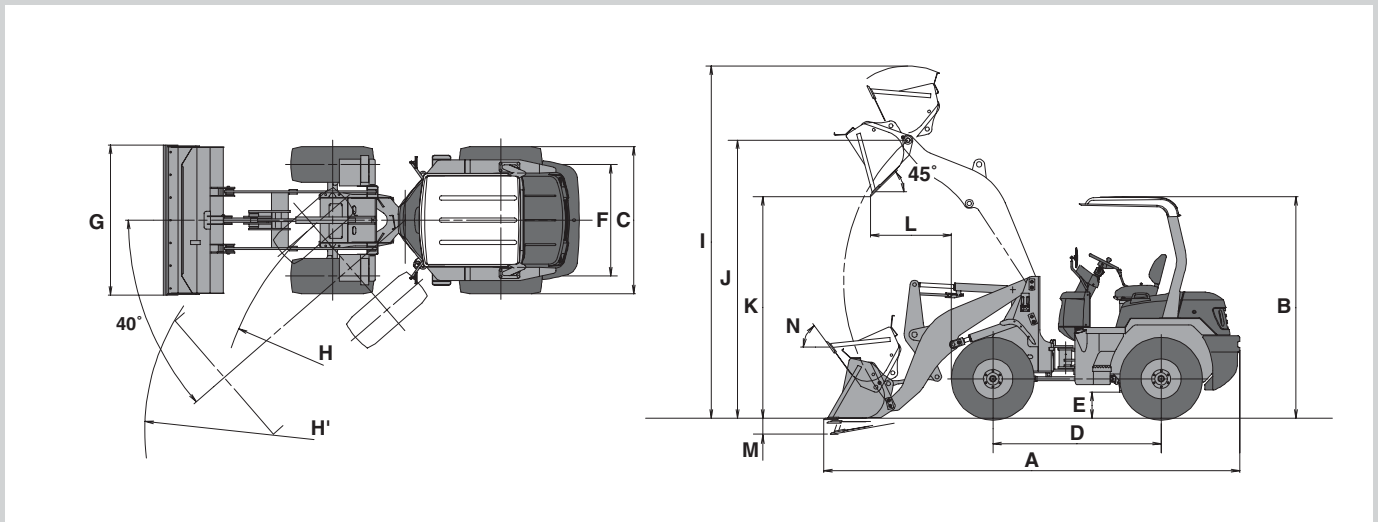
LX40

HITACHI

LX40

W H E E L L O A D E R

- **Engine Rated Power** : 27.2 kW (37 PS)
- **Operating Weight** : Canopy / Cab
3 565 kg (7 860 lb) / 3 740 kg (8 250 lb)
- **Backhoe Bucket** : ISO Heaped
0.6 m³ (0.8 yd³) – 0.9 m³ (1.2 yd³)



Unit : mm (ft in)

	LX40-7
A Overall length	4 695 (15'5")
B Height to top of canopy and cab	2 495 (8'2") / 2 540 (8'4")
C Width over tires	1 655 (5'5")
D Wheel base	1 900 (6'3")
E Ground clearance	295 (6'0")
F Tread	1 260 (4'2")
G Bucket width	1 690 (5'7")
H Turning radius (centerline of outside tire)	3 220 (10'7")
H' Loader clearance circle, bucket in carry position	3 920 (12'10")
I Overall operating height	3 975 (13'1")
J Height to hinge pin, fully raised	3 140 (10'4")
K Dump clearance 45 degree, full height	2 500 (8'2")
L Reach, 45 degree dump, full height	915 (3'0")
Reach, 45 degree dump, 7 ft (2.13 m) clearance	1 245 (4'1")
M Digging depth (horizontal digging angle)	55 (2")
N Max. roll back at carry position	54 deg.
Tire size	15.5 / 60 - 18 - 8PR (L2)

Note: General purpose bucket with bolt on cutting edges.

STANDARD & OPTIONAL EQUIPMENT

	LX40		LX40		LX40
ENGINE		Indicator lights: Turn signals / Warning flashers / Park brake / High gear	●	Light material handling bucket with bolt on cutting edges : 0.7 m ³ (0.9 yd ³ : ISO heaped)	□
Coolant recovery tank	●	Parking brake (negative)	●	Light material handling bucket with bolt on cutting edges : 0.8 m ³ (1.0 yd ³ : ISO heaped)	□
Environmentally friendly engine oil drain	●	12-volt AM radio (for cab model only)	□	Wide (daily & livestock) bucket with bolt on cutting edges : 0.9 m ³ (1.2 yd ³ : ISO heaped)	□
Quick-release fuel filter and water separator	●	12-volt AM/FM radio (for cab model only)	□	Quick-coupler and mechanical control system for quick-coupler locking pins, lines, and valves	□
Glow system (for cold start)	●	Ride control system (APS: Anti-pitching System)*	□	Full line of Hitachi buckets for quick coupler with selection of bolt-on cutting edges	
Double-element air cleaner	□			General purpose bucket with bolt on cutting edges : 0.6 m ³ (0.8 yd ³ : ISO heaped)	□
Clog prevention net and fan	□			Light material handling bucket with bolt on cutting edges : 0.7 m ³ (0.9 yd ³ : ISO heaped)	□
		OPERATOR'S STATION		Light material handling bucket with bolt on cutting edges : 0.8 m ³ (1.0 yd ³ : ISO heaped)	□
POWER TRAIN		Canopy		Wide (daily & livestock) bucket with bolt on cutting edges : 0.9 m ³ (1.2 yd ³ : ISO heaped)	□
Hydrostatic (HST) transmission, electronic shift control, twist-grip lever, hydrostatic oil cooler, inching pedal, and two speeds forward and reverse	●	FRP roof	●	Full line of construction utility forks, pallet forks, and attachments*	
		ROPS** / FOPS***	□	Lumber and manure fork : Max load 950 kg (2 090 lb) (pin on type)	□
		With front curved glass, 2 pillars and wiper	□	Lumber and manure fork : Max load 900 kg (1 980 lb) (for quick coupler)	□
		Cab		Roll grab : Max load 800 kg (1 760 lb) (pin on type)	□
		Steel cab (without ROPS / FOPS) / Front windshield washers / Safety grass	□	Roll grab : Max load 700 kg (1 540 lb) (for quick coupler)	□
		ROPS** / FOPS*** / Multi-plane isolation mounted for noise/vibration reduction / Front and rear windshield washers / Safety grass	□		
HYDRAULIC SYSTEM		Vinyl cab with front glass and vinyl shielding	□	TIRES	
Automatic bucket return-to-dig control	●	Heater / Defroster (Cab model only)	□	- Bias ply :	
Hydraulic filters, vertical mounting	●	Air conditioning (for cab, factory or dealer installed)	□	15.5/60-18-8PR (L2)	●
Two-function hydraulic valve with joystick control (mechanical controlled)	●	Seat belt, 50mm (2 in.)	●	Tire chain (H type)	□
Three-function hydraulic valve with joystick control and auxiliary lever for third function (mechanical controlled)	□	Seat belt, 76 mm (3 in.), with retractor*	□	Spare tire with rim	□
		Seat, vinyl covered, adjustable for fore-aft position	●	Spare rim	□
		Seat, vinyl covered, mechanical suspension, adjustable for weight-height, fore-aft position, backrest tilt	□	Solid tires with rims per machine	□
		Seat, vinyl covered, adjustable for fore-aft position, backrest tilt	□	Spare solid tire with rim	□
ELECTRICAL		Rubber floor mat		Standard tires and galvanized rims per machine	□
12-volt electrical system	●	Steering wheel, textured with spinner knob		1 spare standard tire and galvanized rim	□
Standard batteries (1), 12 volt with 490 CCA, 123-min. rated reserve	●	Handholds, steps, and slip resistant	●	1 spare galvanized rim	□
Alternator, 40 amps and 12 volts	●				
Alternator, high capacity, 60 amps and 12 volts	●	LOADER LINKAGE		OTHERS	
Lights	●	Z-bar loader linkage provides "high bucket breakout"	●	Vandal protection, includes lockable engine enclosure, and fuel fill	●
Driving with guards / Turn signals and flashers / Stop, tail and buck-up lights / Conform to SAE 99	●	High-lift boom*	□	Counter weight, built-in	●
Work lights on cab, front (2) (Cab model only)	□			Power steering	●
Work lights, rear (1) or (2) (Cab model only)	□	BUCKETS AND ATTACHMENTS		Lifting lig (4-point support)	□
Horn, with push button in center of steering wheel	●	Full line of Hitachi pin on buckets with selection of bolt-on cutting edges, and bolt-on teeth*			
Conforms to SAE J994, J1446	●	General purpose bucket with bolt on cutting edges : 0.6 m ³ (0.8 yd ³ : ISO heaped)	●		
Buckup alarm	●				
Monitor and alarm system, multi-function electronic	●				
Audible and visual warning include					
Analog instruments: Engine coolant temperature / Fuel level / Hour-meter	●				
Operator warning lights: Brake oil / Engine oil pressure / Alternator voltage (charge)	●				

Note: ● Standard equipment □ Optional or special equipment

* : Contact your Hitachi dealer for further information.

** : ROPS (Roll Over Protective Structure) Conforms to ISO 3471;1994.

*** : FOPS (Falling Objects Protective Structure) Conforms to ISO 3449; 1992 Level II.



DIMENSIONS

Bucket type			Standard boom				High-lift boom
			General purpose	Light material handling	Light material handling	Wide(dairy&livestock)	General purpose
			With bolt-on cutting edges	With bolt-on cutting edges	With bolt-on cutting edges	With bolt-on cutting edges	With bolt-on cutting edges
Bucket capacity	ISO heaped	m ³ (yd ³)	0.6 (0.8)	0.7 (0.9)	0.8 (1.0)	0.9 (1.2)	
	ISO struck	m ³ (yd ³)	0.52 (0.7)	0.6 (0.8)	0.65 (0.9)	0.75 (1.0)	
Bucket width		mm (ft-in)	1 690 (5'7")	1 690 (5'7")	1 890 (6'2")	1 890 (6'2")	
Working range							
	Dump clearance 45 degree, full height	mm (ft-in)	2 500 (8'2")	2 415 (7'11")	2 415 (7'11")	2 350 (7'9")	
	Reach, 45 degree dump, full height	mm (ft-in)	915 (3'0")	1 000 (3'3")	1 000 (3'3")	1 060 (3'6")	
	Reach, 45 degree dump, 7 ft (2.13 m) clearance	mm (ft-in)	1 245 (4'1")	1 270 (4'2")	1 270 (4'2")	1 280 (4'2")	
	Digging depth (horizontal digging angle)	mm (ft-in)	55 (2.2")	55 (2.2")	55 (2.2")	55 (2.2")	
	Overall height, bucket on ground(with FRP canopy)	mm (ft-in)	2 495 (8'2")	2 495 (8'2")	2 495 (8'2")	2 495 (8'2")	2495 (8'2")
	Overall height, bucket on ground(with ROPS canopy)	mm (ft-in)	2 630 (8'8")	2 630 (8'8")	2 630 (8'8")	2 630 (8'8")	
	Overall height, bucket on ground(with Steel cab)	mm (ft-in)	2 540 (8'4")	2 540 (8'4")	2 540 (8'4")	2 540 (8'4")	
	Overall operating height	mm (ft-in)	3 975 (13'0")	4 010 (13'2")	4 010 (13'2")	4 040 (13'3")	
	Overall length (Bucket on ground)	mm (ft-in)	4 695 (15'5")	4 815 (15'10")	4 815 (15'10")	4 905 (16'1")	
	Loader clearance circle, bucket in carry position	mm (ft-in)	3 920 (12'10")	3 950 (12'12")	4 040 (13'3")	4 065 (13'4")	
Static tipping load *	Straight	kgf (lbf)	2 480 (5 470)	2 420 (5 340)	2 330 (5 140)	2 300 (5 070)	
	Full 41 degree turn	kgf (lbf)	1 920 (4 230)	1 870 (4 120)	1 770 (3 900)	1 770 (3 900)	
Breakout force		kN	33	28	28	25	
		kgf (lbf)	3 400 (7 500)	2 850 (6 280)	2 850 (6 280)	2 500 (5 510)	
Operating weight *		kgf (lbf)	3 565 (7 860)	3 585 (7 900)	3 605 (7 950)	3 620 (7 980)	

Bucket type			Standard boom with quick-coupler			
			General purpose	Light material handling	Light material handling	Wide(dairy&livestock)
			With bolt-on cutting edges	With bolt-on cutting edges	With bolt-on cutting edges	With bolt-on cutting edges
Bucket capacity	ISO heaped	m ³ (yd ³)	0.6 (0.8)	0.7 (0.9)	0.8 (1.0)	0.9 (1.2)
	ISO struck	m ³ (yd ³)	0.52 (0.7)	0.6 (0.8)	0.65 (0.9)	0.75 (1.0)
Bucket width		mm (ft-in)	1 690 (5'7")	1 690 (5'7")	1 890 (6'2")	1 890 (6'2")
Working range						
	Dump clearance 45 degree, full height	mm (ft-in)	2 405 (7'11")	2 320 (7'7")	2 320 (7'7")	1 891 (6'2")
	Reach, 45 degree dump, full height	mm (ft-in)	1 010 (3'4")	1 095 (3'7")	1 095 (3'7")	1 892 (6'2")
	Reach, 45 degree dump, 7 ft (2.13 m) clearance	mm (ft-in)	1 270 (4'2")	1 285 (4'3")	1 285 (4'3")	1 893 (6'3")
	Digging depth (horizontal digging angle)	mm (ft-in)	55 (2.2")	55 (2.2")	55 (2.2")	55 (2.2")
	Overall height, bucket on ground(with FRP canopy)	mm (ft-in)	2 495 (8'2")	2 495 (8'2")	2 495 (8'2")	2 495 (8'2")
	Overall height, bucket on ground(with ROPS canopy)	mm (ft-in)	2 630 (8'8")	2 630 (8'8")	2 630 (8'8")	2 630 (8'8")
	Overall height, bucket on ground(with Steel cab)	mm (ft-in)	2 540 (8'4")	2 540 (8'4")	2 540 (8'4")	2 540 (8'4")
	Overall operating height	mm (ft-in)	4 065 (13'4")	4 100 (13'5")	4 100 (13'5")	4 130 (13'7")
	Overall length (Bucket on ground)	mm (ft-in)	4 830 (15'10")	4 950 (16'3")	4 950 (16'3")	5 040 (16'6")
	Loader clearance circle, bucket in carry position	mm (ft-in)	3 955 (12'12")	3 990 (13'1")	4 080 (13'5")	4 105 (13'6")
Static tipping load *	Straight	kgf (lbf)	2 290 (5 050)	2 260 (4 980)	2 160 (4 760)	2 130 (4 700)
	Full 41 degree turn	kgf (lbf)	1 760 (3 880)	1 710 (3 770)	1 630 (3 590)	1 630 (3 590)
Breakout force		kN	27	23	23	21
		kgf (lbf)	2 750 (6 060)	2 350 (5 180)	2 300 (5 070)	2 100 (4 630)
Operating weight *		kgf (lbf)	3 655 (8 060)	3 675 (8 100)	3 690 (8 140)	3 705 (8 170)

Notes: 1. All dimensions, weight and performance data based on ISO 6746-1:1987, ISO 7131:1997 and ISO 7546:1983

2. Static tipping load and operating weight marked with * include 15.5/60-18-8PR (L2) tires (no ballast) with lubricants, coolant, full fuel tank and operator. Machine stability and operating weight depend on counterweight, tire size and other attachments.

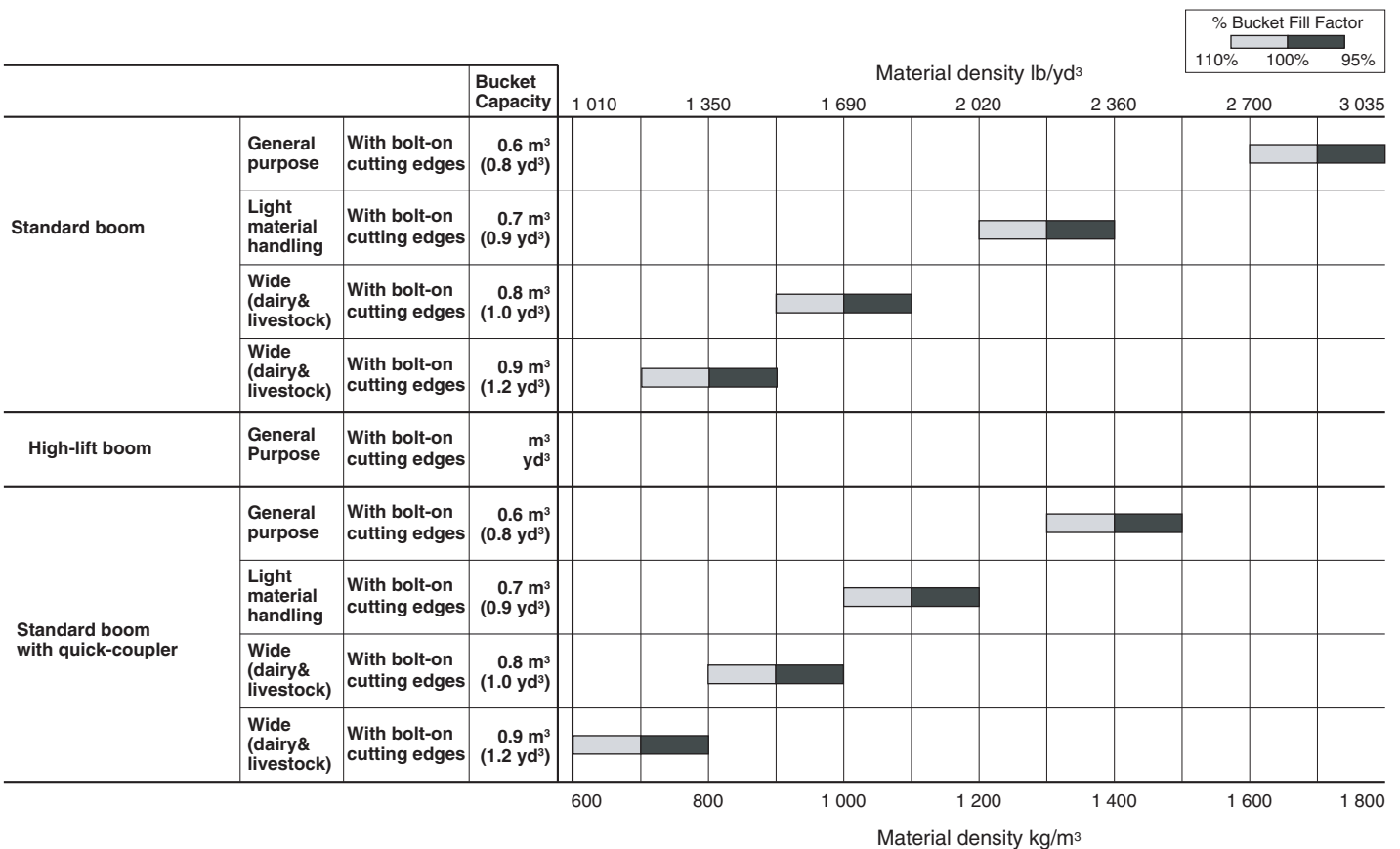


WEIGHT CHANGES

Tires and Options	Change in operating weight		Change in tipping load			
			Straight		Full turn	
	kg	lb	kg	lb	kg	lb
Steel cab (in lieu of FRP roof canopy)	3 740	8 245	2 640	5 820	2 050	4 519
ROPS canopy (in lieu of FRP roof canopy)	3 655	8 058	2 620	5 776	2 030	4 475
Canopy with front curved glass (add to FRP roof canopy)	3 615	7 970	2 510	5 534	1 940	4 277
Vinyl cab with front glass (add to FRP roof canopy)	3 625	7 992	2 520	5 556	1 950	4 299
Lumber and pallet fork (pin on type)	3 540	7 804	1 890	4 167	1 460	3 219
Lumber and pallet fork (for quick coupler)	3 625	7 992	1 790	3 946	1 370	3 020
Manure fork (pin on type)						
Manure fork (for quick coupler)	3 575	7 881	1 680	3 704	1 290	2 844
Roll grab (pin on type)						
Roll grab (for quick coupler)	3 635	8 014	1 600	3 527	1 220	2 690



BUCKET SELECTION GUIDE



 **Hitachi Construction Machinery Co., Ltd.**

Head Office: 5-1 Koraku 2-chome, Bunkyo-ku,
Tokyo 112-8563, Japan

Telephone: (03)3830-8050

Facsimile: (03)3830-8202

These specifications are subject to change without notice.

Illustrations and photos show the standard models, and may or may not include optional equipment, accessories, and all standard equipment with some differences in color and features.

KL-E099P

'02.06 (KA/KA, MT₃)

Printed in Japan