

S P E C I F I C A T I O N S

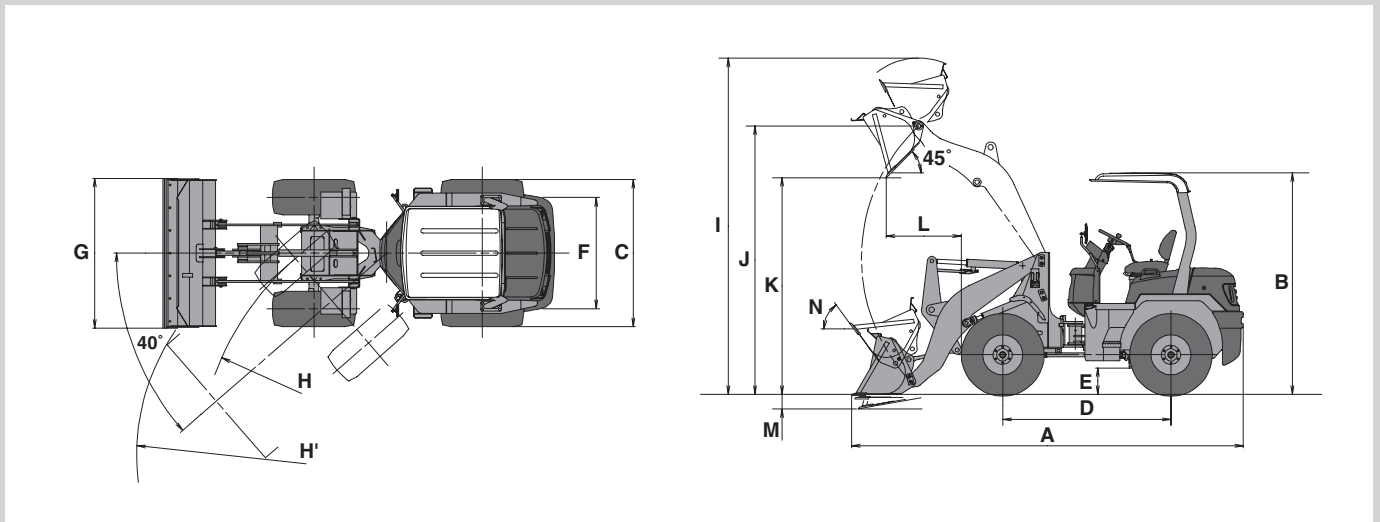
LX30

HITACHI

LX30

W H E E L L O A D E R

- **Engine Rated Power** : 27.2 kW (37 PS)
- **Operating Weight** : Canopy / Cab
3 265 kg (7 200 lb) / 3 440 kg (7 590 lb)
- **Backhoe Bucket** : ISO Heaped
0.5 m³ (0.7 yd³) – 0.8 m³ (1.0 yd³)



Unit : mm (ft in)

	LX30-7
A Overall length	4 425 (14'6")
B Height to top of canopy and cab	2 495 (8'2") / 2 540 (8'4")
C Width over tires	1 655 (5'5")
D Wheel base	1 900 (6'3")
E Ground clearance	295 (6'0")
F Tread	1 260 (4'2")
G Bucket width	1 690 (5'7")
H Turning radius (centerline of outside tire)	3 220 (10'7")
H' Loader clearance circle, bucket in carry position	3 845 (12'7")
I Overall operating height	3 795 (12'5")
J Height to hinge pin, fully raised	3 030 (9'11")
K Dump clearance 45 degree, full height	2 455 (8'1")
L Reach, 45 degree dump, full height	845 (2'9")
Reach, 45 degree dump, 7 ft (2.13 m) clearance	1 120 (3'8")
M Digging depth (horizontal digging angle)	50 (2")
N Max. roll back at carry position	54 deg.
Tire size	15.5 / 60 - 18 - 8PR (L2)

Note: General purpose bucket with bolt on cutting edges.

STANDARD & OPTIONAL EQUIPMENT

	LX30		LX30		LX30
ENGINE		Indicator lights: Turn signals / Warning flashers / Park brake / High gear	●	Light material handling bucket with bolt on cutting edges : 0.7 m ³ (0.9 yd ³ : ISO heaped)	□
Coolant recovery tank	●	Parking brake (negative)	●	Wide (daily & livestock) bucket with bolt on cutting edges : 0.8 m ³ (1.0 yd ³ : ISO heaped)	□
Environmentally friendly engine oil drain	●	12-volt AM radio (for cab model only)	□	Quick-coupler and mechanical control system for quick-coupler locking pins, lines, and valves	□
Quick-release fuel filter and water separator	●	12-volt AM/FM radio (for cab model only)	□	Full line of Hitachi buckets for quick coupler with selection of bolt-on cutting edges	
Glow system (for cold start)	●	Ride control system (APS: Anti-pitching System)*	□	General purpose bucket with bolt on cutting edges : 0.5 m ³ (0.7 yd ³ : ISO heaped)	□
Double-element air cleaner	□			Light material handling bucket with bolt on cutting edges : 0.6 m ³ (0.8 yd ³ : ISO heaped)	□
Clog prevention net and fan	□			Light material handling bucket with bolt on cutting edges : 0.7 m ³ (0.9 yd ³ : ISO heaped)	□
		OPERATOR'S STATION		Wide (daily & livestock) bucket with bolt on cutting edges : 0.8 m ³ (1.0 yd ³ : ISO heaped)	□
POWER TRAIN		Canopy		Full line of construction utilityforks, pallet forks, and attachments*	
Hydrostatic (HST) transmission, electronic shift control, twist-grip lever, hydrostatic oil cooler, inching pedal, and two speeds forward and reverse	●	FRP roof	●	Lumber and manure fork : Max load 850 kg (1 870 lb) (pin on type)	□
		ROPS** / FOPS***	□	Lumber and manure fork : Max load 800 kg (1 760 lb) (for quick coupler)	□
		With front curved glass, 2 pillars and wiper	□	Roll grab : Max load 700 kg (1 540 lb) (pin on type)	□
		Cab		Roll grab : Max load 600 kg (1 320 lb) (for quick coupler)	□
		Steel Cab (without ROPS / FOPS) / Front windshield washers / Safety grass	□		
HYDRAULIC SYSTEM		ROPS** / FOPS*** / Multi-plane isolation mounted for noise/vibration reduction / Front and rear windshield washers / Safety grass	□	TIRES	
Automatic bucket return-to-dig control	●	Vinyl cab with front glass and vinyl shielding	□	- Bias ply :	
Hydraulic filters, vertical mounting	●	Heater / Defroster (Cab model only)	□	15.5/60-18-8PR (L2)	●
Two-function hydraulic valve with joystick control (mechanical controlled)	●	Air conditioning (for cab, factory or dealer installed)	□	Tire chain (H type)	□
Three-function hydraulic valve with joystick control and auxiliary lever for third function (mechanical controlled)	□	Seat belt, 50mm (2 in.)	●	Spare tire with rim	□
		Seat belt, 76 mm (3 in.), with retractor*	□	Spare rim	□
		Seat, vinyl covered, adjustable for fore-aft position	●	Solid tires with rims per machine	□
		Seat, vinyl covered, mechanical suspension, adjustable for weight-height, fore-aft position, backrest tilt	□	Spare solid tire with rim	□
		Seat, vinyl covered, adjustable for fore-aft position, backrest tilt	□	Standard tires and galvanized rims per machine	□
		Rubber floor mat		1 spare standard tire and galvanized rim	□
		Steering wheel, textured with spinner knob		1 spare galvanized rim	□
		Rear view mirrors, outside (2)			
		Handholds, steps, and slip resistant	●	OTHERS	
			□	Vandal protection, includes lockable engine enclosure, and fuel fill	●
		LOADER LINKAGE		Counter weight, built-in	●
		Z-bar loader linkage provides "high bucket breakout"	●	Power steering	●
		High-lift boom*	□	Lifting lig (4-point support)	□
ELECTRICAL		BUCKETS AND ATTACHMENTS			
12-volt electrical system	●	Full line of Hitachi pin on buckets with selection of bolt-on cutting edges, and bolt-on teeth*			
Standard batteries (1), 12 volt with 490 CCA, 123-min. rated reserve	●	General purpose bucket with bolt on cutting edges : 0.5 m ³ (0.7 yd ³ : ISO heaped)	●		
Alternator, 40 amps and 12 volts	●	Light material handling bucket with bolt on cutting edges : 0.6 m ³ (0.8 yd ³ : ISO heaped)	□		
Alternator, high capacity, 60 amps and 12 volts	●				
Lights					
Driving with guards / Turn signals and flashers / Stop, tail and buck-up lights / Conform to SAE 99	●				
Work lights on cab, front (2) (Cab model only)	●				
Work lights, rear (1) or (2) (Cab model only)	●				
Horn, with push button in center of steering wheel	●				
Conforms to SAE J994, J1446	●				
Buckup alarm	●				
Monitor and alarm system, multi-function electronic	●				
Audible and visual warning include					
Analog instruments: Engine coolant temperature / Fuel level / Hour-meter	●				
Operator warning lights: Brake oil / Engine oil pressure / Alternator voltage (charge)	●				

Note: ● Standard equipment □ Optional or special equipment

* : Contact your Hitachi dealer for further information.

** : ROPS (Roll Over Protective Structure) Conforms to ISO 3471;1994.

*** : FOPS (Falling Objects Protective Structure) Conforms to ISO 3449; 1992 Level II.



DIMENSIONS

Bucket type			Standard boom				High-lift boom
			General purpose	Light material handling	Light material handling	Wide(dairy&livestock)	General purpose
			With bolt-on cutting edges	With bolt-on cutting edges	With bolt-on cutting edges	With bolt-on cutting edges	With bolt-on cutting edges
Bucket capacity	ISO heaped	m ³ (yd ³)	0.5 (0.7)	0.6 (0.8)	0.7 (0.9)	0.8 (1.0)	
	ISO struck	m ³ (yd ³)	0.42 (0.5)	0.52 (0.7)	0.6 (0.8)	0.65 (0.9)	
Bucket width		mm (ft-in)	1 690 (5'7")	1 690 (5'7")	1 690 (5'7")	1 890 (6'2")	
Working range							
Dump clearance 45 degree, full height		mm (ft-in)	2 445 (8'0")	2 390 (7'10")	2 305 (7'7")	2 305 (7'7")	
Reach, 45 degree dump, full height		mm (ft-in)	845 (2'9")	900 (2'11")	985 (3'3")	985 (3'3")	
Reach, 45 degree dump, 7 ft (2.13 m) clearance		mm (ft-in)	1 120 (3'8")	1 135 (3'9")	1 150 (3'9")	1 150 (3'9")	
Digging depth (horizontal digging angle)		mm (ft-in)	50 (2.0")	50 (2.0")	50 (2.0")	50 (2.0")	
Overall height, bucket on ground(with FRP canopy)		mm (ft-in)	2 495 (8'2")	2 495 (8'2")	2 495 (8'2")	2 495 (8'2")	2 495 (8'2")
Overall height, bucket on ground(with ROPS canopy)		mm (ft-in)	2 630 (8'8")	2 630 (8'8")	2 630 (8'8")	2 630 (8'8")	
Overall height, bucket on ground(with Steel cab)		mm (ft-in)	2 540 (8'4")	2 540 (8'4")	2 540 (8'4")	2 540 (8'4")	
Overall operating height		mm (ft-in)	3 795 (12'5")	3 865 (12'8")	3 895 (12'9")	3 895 (12'9")	
Overall length (Bucket on ground)		mm (ft-in)	4 425 (14'6")	4 505 (14'9")	4 625 (15'2")	4 625 (15'2")	
Loader clearance circle, bucket in carry position		mm (ft-in)	3 845 (12'7")	3 865 (12'8")	3 900 (12'10")	3 985 (13'1")	
Static tipping load *	Straight	kgf (lbf)	2 060 (4 540)	2 040 (4 500)	2 000 (4 410)	1 980 (4 370)	
	Full 41 degree turn	kgf (lbf)	1 700 (3 750)	1 680 (3 700)	1 640 (3 620)	1 630 (3 590)	
Breakout force		kN kgf (lbf)	36 3 650 (8 050)	31 3 200 (7 050)	26 2 650 (5 840)	26 2 650 (5 840)	
Operating weight *		kgf (lbf)	3 265 (7 200)	3 280 (7 230)	3 300 (7 280)	3 320 (7 320)	

Bucket type			Standard boom with quick-coupler			
			General purpose	Light material handling	Light material handling	Wide(dairy&livestock)
			With bolt-on cutting edges	With bolt-on cutting edges	With bolt-on cutting edges	With bolt-on cutting edges
Bucket capacity	ISO heaped	m ³ (yd ³)	0.5 (0.7)	0.6 (0.8)	0.7 (0.9)	0.8 (1.0)
	ISO struck	m ³ (yd ³)	0.42 (0.5)	0.52 (0.7)	0.6 (0.8)	0.65 (0.9)
Bucket width		mm (ft-in)	1 690 (5'7")	1 690 (5'7")	1 690 (5'7")	1 890 (6'2")
Working range						
Dump clearance 45 degree, full height		mm (ft-in)	2 350 (7'9")	2 295 (7'6")	2 210 (7'3")	2 210 (7'3")
Reach, 45 degree dump, full height		mm (ft-in)	940 (3'1")	995 (3'3")	1 080 (3'7")	1 080 (3'7")
Reach, 45 degree dump, 7 ft (2.13 m) clearance		mm (ft-in)	1 145 (3'9")	1 155 (3'9")	1 165 (3'10")	1 165 (3'10")
Digging depth (horizontal digging angle)		mm (ft-in)	50 (2.0")	50 (2.0")	50 (2.0")	50 (2.0")
Overall height, bucket on ground(with FRP canopy)		mm (ft-in)	2 495 (8'2")	2 495 (8'2")	2 495 (8'2")	2 495 (8'2")
Overall height, bucket on ground(with ROPS canopy)		mm (ft-in)	2 630 (8'8")	2 630 (8'8")	2 630 (8'8")	2 630 (8'8")
Overall height, bucket on ground(with Steel cab)		mm (ft-in)	2 540 (8'4")	2 540 (8'4")	2 540 (8'4")	2 540 (8'4")
Overall operating height		mm (ft-in)	3 885 (12'9")	3 955 (12'12")	3 990 (13'1")	3 990 (13'1")
Overall length (Bucket on ground)		mm (ft-in)	4 560 (14'12")	4 640 (15'3")	4 760 (15'7")	4 760 (15'7")
Loader clearance circle, bucket in carry position		mm (ft-in)	3 880 (12'9")	3 905 (12'10")	3 935 (12'11")	4 025 (13'2")
Static tipping load *	Straight	kgf (lbf)	1 900 (4 190)	1 880 (4 140)	1 830 (4 030)	1 820 (4 010)
	Full 41 degree turn	kgf (lbf)	1 530 (3 370)	1 510 (3 330)	1 480 (3 260)	1 470 (3 240)
Breakout force		kN kgf (lbf)	28 2 850 (6 280)	25 2 550 (5 620)	22 2 200 (4 850)	21 2 150 (4 740)
Operating weight *		kgf (lbf)	3 350 (7 390)	3 365 (7 420)	3 385 (7 460)	3 400 (7 500)

Notes: 1. All dimensions, weight and performance data based on ISO 6746-1:1987, ISO 7131:1997 and ISO 7546:1983

2. Static tipping load and operating weight marked with * include 15.5/60-18-8PR (L2) tires (no ballast) with lubricants, coolant, full fuel tank and operator. Machine stability and operating weight depend on counterweight, tire size and other attachments.

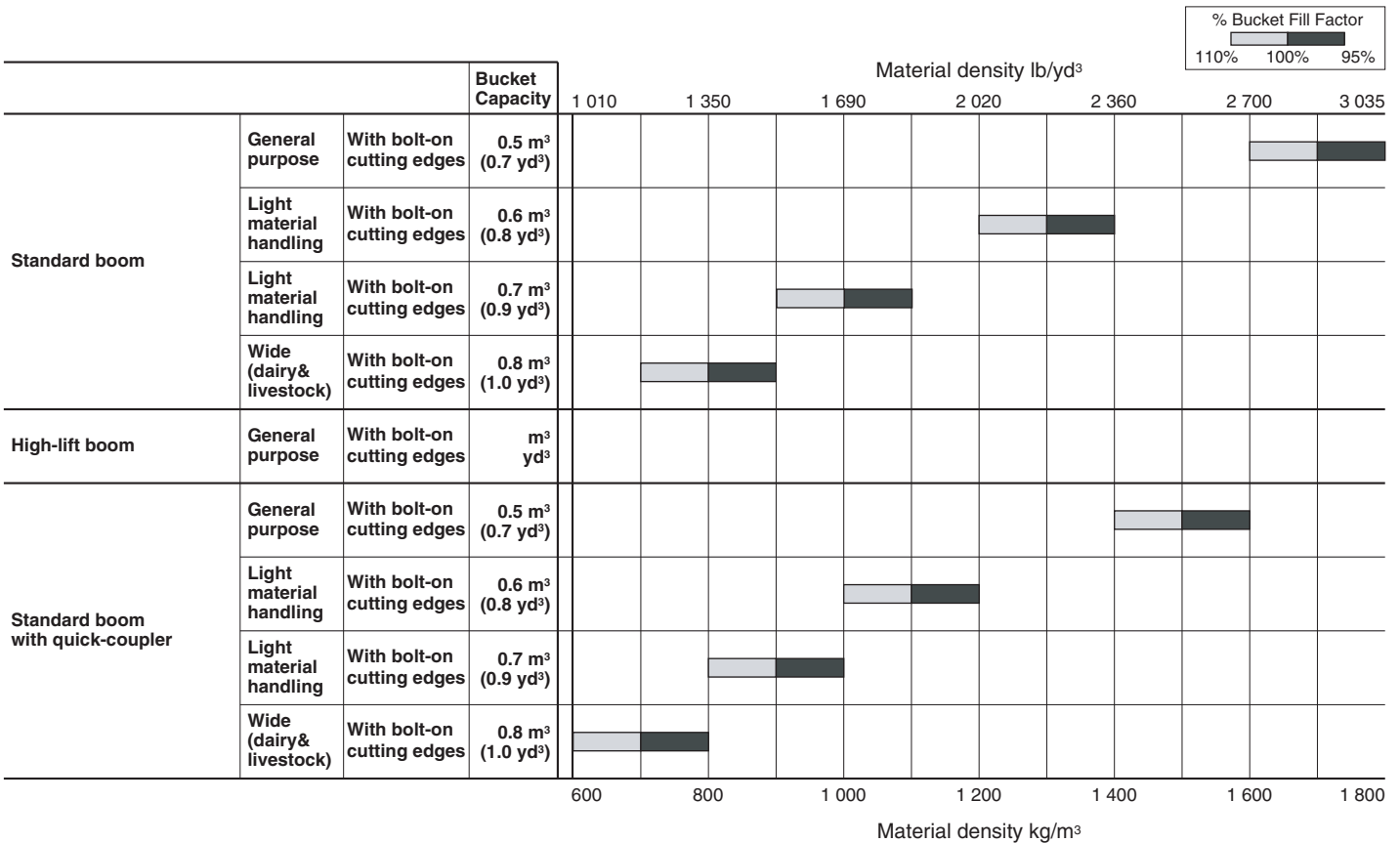


WEIGHT CHANGES

Tires and Options	Change in operating weight		Change in tipping load			
			Straight		Full turn	
	kg	lb	kg	lb	kg	lb
Steel cab (in lieu of FRP roof canopy)	3 440	7 584	2 220	4 894	1 840	4 056
ROPS canopy (in lieu of FRP roof canopy)	3 355	7 396	2 200	4 850	1 820	4 012
Canopy with front curved glass (add to FRP roof canopy)	3 315	7 308	2 090	4 608	1 730	3 814
Vinyl cab with front glass (add to FRP roof canopy)	3 325	7 330	2 100	4 630	1 740	3 836
Lumber and pallet fork (pin on type)	3 255	7 176	1 600	3 527	1 320	2 910
Lumber and pallet fork (for quick coupler)	3 340	7 363	1 510	3 329	1 230	2 712
Manure fork (pin on type)						
Manure fork (for quick coupler)	3 295	7 264	1 410	3 108	1 160	2 557
Roll grab (pin on type)						
Roll grab (for quick coupler)	3 345	7 374	1 330	2 932	1 090	2 403



BUCKET SELECTION GUIDE



 **Hitachi Construction Machinery Co., Ltd.**

Head Office: 5-1 Koraku 2-chome, Bunkyo-ku,
Tokyo 112-8563, Japan

Telephone: (03)3830-8050

Facsimile: (03)3830-8202

These specifications are subject to change without notice.

Illustrations and photos show the standard models, and may or may not include optional equipment, accessories, and all standard equipment with some differences in color and features.

KL-E098P

'02.06 (KA/KA, MT₃)

Printed in Japan